

BJ-30

**PARTS
CATALOG**

Canon

Canon

FIGURE 1 PRINTER SET

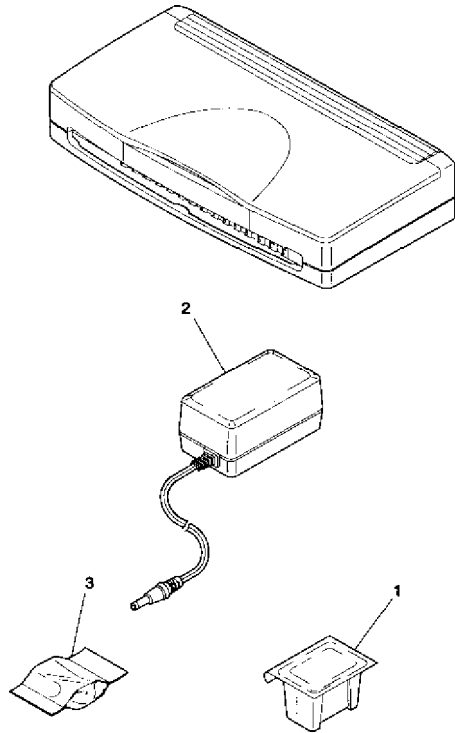
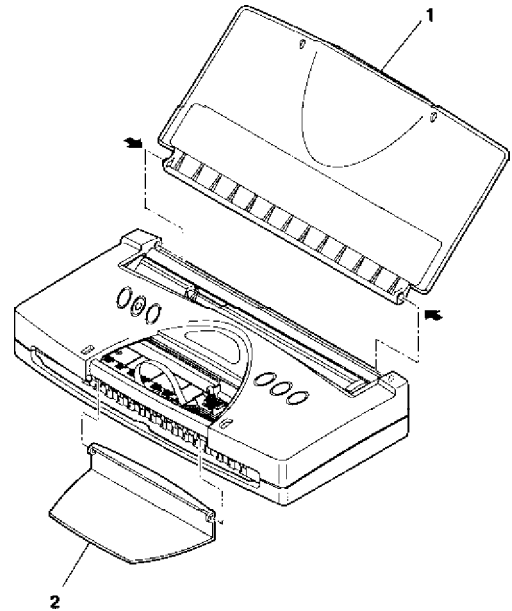


FIGURE 2 TOP COVER



NUM.	PART #	DESCRIPTION	NUM.	PART #	DESCRIPTION
1 - 1	NPN	BLACK BJ CARTRIDGE PACK	2 - 1	QB1-1132-000	COVER TOP (B)
2	Q70-2412-410	AC ADAPTOR: 120V 60HZ	1	QB1-1236-000	COVER TOP (B)
2	NPN	AC ADAPTOR: 220-240V 50HZ	2	QB1-1243-000	COVER INNER (B)
2	NPN	AC ADAPTOR: 240V 50HZ UK	2	QB1-1222-000	COVER INNER (W)
2	NPN	AC ADAPTOR: 240V 50HZ AUS			
3	NPN	INK CARTRIDGE			

FIGURE 3 UPPER COVER

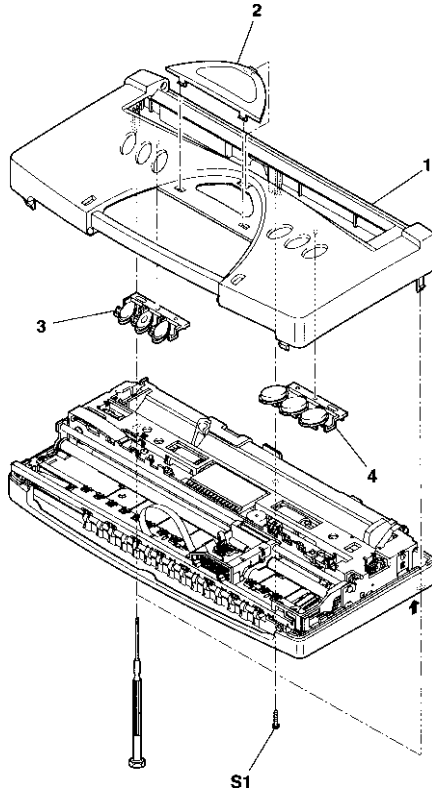
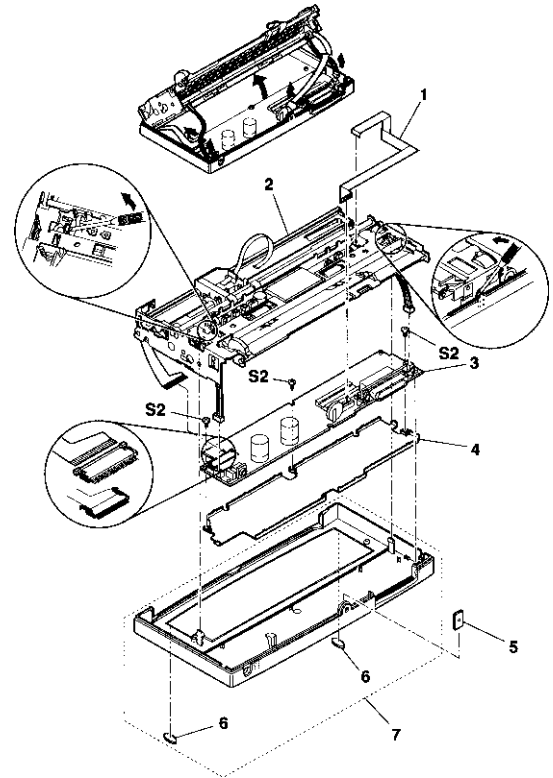


FIGURE 4 CONTROL BOARD & PRINT UNIT



NUM.	PART #	DESCRIPTION
3 - 1	QB1-1129-000	COVER UPPER (B)
1	QB1-1235-000	COVER UPPER (W)
2	QB1-1244-000	COVER LCD (B)
2	QB1-1223-000	COVER LCD (W)
3	QB1-1090-000	PANEL SWITCH LEFT (B)
3	QB1-1239-000	PANEL SWITCH LEFT (W)
4	QB1-1131-000	PANEL SWITCH RIGHT (B)
4	QB1-1240-000	PANEL SWITCH RIGHT (W)

NUM.	PART #	DESCRIPTION
4 - 1	QH2-2123-000	CABLE
2	QG5-0819-140	CHASSIS PLATEN UNIT C
3	QG2-2538-000	CONTROL PCB ASS'Y
4	QB1-1075-000	PLATE SHIELD
5	QB1-1136-000	PLATE ROCK
6	QB1-1135-000	FOOT RUBBER (B)
6	QB1-1242-000	FOOT RUBBER (W)
7	QF5-0143-000	LOWER COVER UNIT (B)
7	QF5-0144-000	LOWER COVER UNIT (W)

NOT SHOWN

8	QB1-4458-000	BUSHING, LEFT
9	QB1-1058-000	CLIP, BUSHING

FIGURE 5 PANEL BOARD

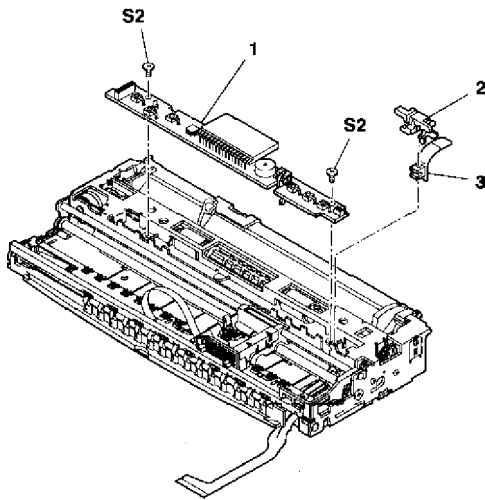
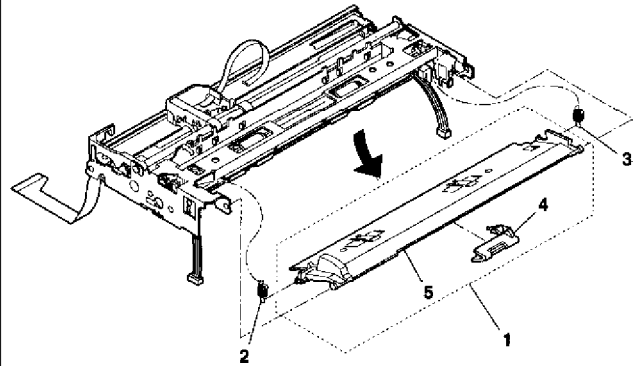


FIGURE 6 ASF UNIT



NUM.	PART #	DESCRIPTION
5 - 1	QG2-2601-000	PANEL BOARD UNIT
2	QB1-1055-000	HOLDER SENSOR
3	QH8-8794-000	PHOTO MICRO SENSOR (W/CABLE)

NUM.	PART #	DESCRIPTION
6 - 1	QG5-0352-000	PAPER LIFTING PLATE UNIT
2	QB1-1064-000	SPRING COIL
3	QB1-1083-000	SPRING COIL
4	QB1-1084-000	GUIDE PAPER
5	QF5-0139-000	PAPER LIFTING PLATE ASS'Y

FIGURE 7 PURGE & WASTE INK ABSORBER

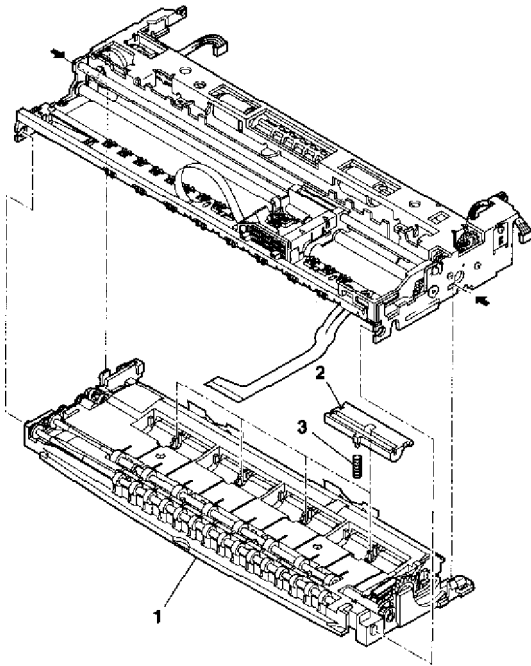
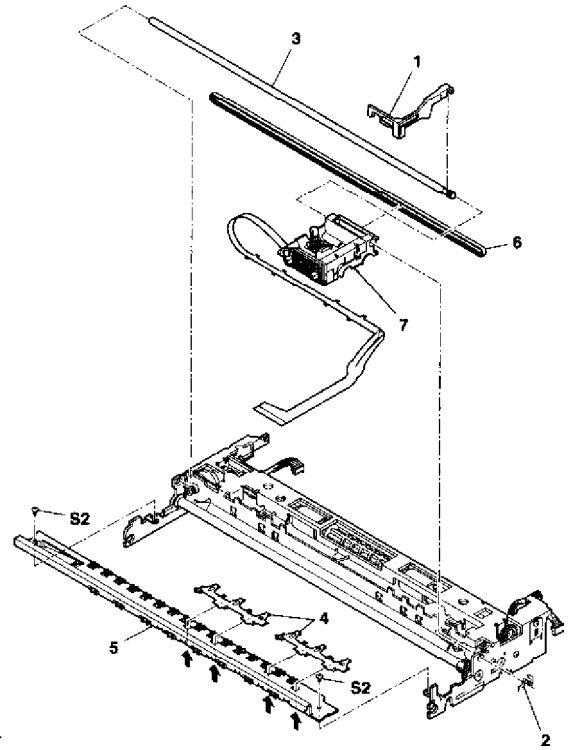


FIGURE 8 CARRIAGE PART



NUM.	PART #	DESCRIPTION
7 - 1	QG5-0708-000	PRINTER BASE UNIT
2	QG5-0357-000	PINCH ROLLER UNIT
3	QB1-1095-020	SPRING COIL

NUM.	PART #	DESCRIPTION
8 - 1	NPN	ARM, ROCK
2	NPN	STOPPER
3	NPN	SHAFT, CARRIAGE GUIDE
4	NPN	HOLDER, CARRIAGE RIBBON CABLE
5	NPN	GUIDE RAIL UNIT
6	NPN	BELT, CARRIAGE
7	NPN	CARRIAGE UNIT