

# PIXMA MP110

# PIXMA MP130

# PARTS

# CATALOG

REVISION 0

PIXMA MP110	H12-4403	230V	EUR(EUM)
PIXMA MP110	H12-4404	230V	EUR(EMB)
PIXMA MP110	H12-4405	230V	EUR(GB)
PIXMA MP110	H12-4408	230V	AUS
PIXMA MP110	H12-4409	230V	AE
PIXMA MP110	H12-4416	230V	CHN
PIXMA MP110	H12-4417	110V	TWN
PIXMA MP110	H12-4419	230V	KOR
PIXMA MP130	H12-4422	120V	USA
PIXMA MP130	H12-4423	230V	EUR(EUM)
PIXMA MP130	H12-4424	230V	EUR(EMB)
PIXMA MP130	H12-4425	230V	EUR(GB)
PIXMA MP130	H12-4426	230V	CND
PIXMA MP130	H12-4427	230V	LTN
PIXMA MP130	H12-4428	230V	AUS
PIXMA MP130	H12-4429	230V	AE
PIXMA MP130	H12-4436	230V	CHN
PIXMA MP130	H12-4437	110V	TWN
PIXMA MP130	H12-4439	230V	KOR

**Canon**

DEC. 2004

**HY8-33A2-000**

## **Application**

This manual has been issued by Canon Inc. for qualified persons to learn technical theory, installation, maintenance, and repair of products. This manual covers all localities where the products are sold. For this reason, there may be information in this manual that does not apply to your locality.

## **Corrections**

This manual may contain technical inaccuracies or typographical errors due to improvements or changes in products. When changes occur in applicable products or in the content of this manual, Canon will release technical information as the need arises. In the event of major changes in the contents of this manual, Canon will issue a new editions of this manual.

**The following paragraph does not apply to any countries where such provisions are inconsistent with local law.**

## **Trademarks**

The product names and company names described in this manual are the registered trademarks of the individual companies.

## **Copyright**

This manual is copyrighted with all rights reserved. Under the copyright laws, this manual may not be copied, reproduced or translated into another language, in whole or in part, without the written consent of Canon Inc.

**Copyright © 2004 by Canon Inc.**

**CANON INC.**

**InkJet MFP Quality Assurance Div.**

**5-1 Hakusan 7-Chome, Toride-city, Ibaraki 302-8501, Japan**

## **DTP System**

The data contained on this manual were created using Windows 2000 computers.

Document creation and page layout were performed using Adobe® PageMaker® 6.5.

Logos and illustrations were created using Adobe® Illustrator® 10.0J.

# I. CONTENTS

1. ILLUSTRATION INDEX
2. PARTS LAYOUT & PARTS LIST
3. TOOL
4. NUMERICAL INDEX

# II. ABOUT THIS MANUAL

## 1. ILLUSTRATION INDEX

For illustration index, the parts layout illustrations in this parts catalog are listed in abbreviated form in order of illustration number to identify the pages they appear on. To find an illustration of a part, see the ILLUSTRATION INDEX.

## 2. PARTS LAYOUT & PARTS LIST

### Parts layout illustration

#### a) Parts search

Find a part from the parts layout illustration and find its key number from the parts list to identify the part number and name.

Further, screws, nuts, washers, grip rings, pins and spacers are mentioned in the parts list.

**Note:** If parts have the same or similar shape but different specifications, their key number is assigned to several part numbers and names in the parts list.

#### b) Parts replacement procedure

The parts layout illustrations are arranged according to the disassembly procedure of the product.

When a unit in the illustration can be disassemble further, a reference illustration page of the disassembly will be included.

The letters ( A , B etc.) in the illustration indicate the connection locations of cables and screws.

### Parts list

#### a) FIGURE & KEY No.

The FIGURE & KEY No. column corresponds to the key numbers assigned to the parts in the parts layout illustration.

It also corresponds to the part locations printed on the PC board.

#### b) PART NUMBER

The PART NUMBER column gives the part numbers corresponding to the key numbers. To order a part, indicate the part number clearly.

**Note:** Parts marked NPN are not service parts.

#### c) RANK

The service parts with N in the RANK column are order parts.

#### d) QTY

The QTY column gives the number of parts in the corresponding components layout illustration.

#### e) DESCRIPTION

The DESCRIPTION column gives the part names in English.

To order a part, indicate the part name, too.

## 3. TOOL

This is a list of tools used for servicing products.

## 4. NUMERICAL INDEX

All the parts listed in this parts catalog are arranged in order of part number. You can identify part locations and names from the NUMERICAL INDEX.

**This page intentionally left blank**

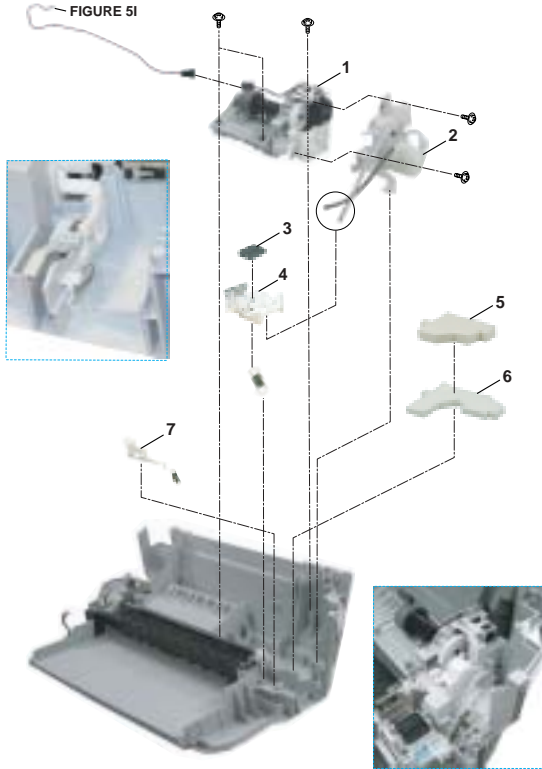
# 1. ILLUSTRATION INDEX

<p><b>FIGURE 1</b> PIXMA MP110/MP130 PACKAGE CONTENTS</p>	<p>See Page 2-1</p>	<p><b>FIGURE 2</b> PRESSURE PLATE, REAR COVER</p>	<p>See Page 2-3</p>
<p><b>FIGURE 3</b> FLATBED ASS'Y, SIDE COVER</p>	<p>See Page 2-5</p>	<p><b>FIGURE 4</b> MIDDLE COVER</p>	<p>See Page 2-7</p>

<p><b>FIGURE 5</b> MAIN BOARD, MULTI-CARD READER BOARD</p>	<p>See Page 2-9</p>	<p><b>FIGURE 6</b> PRINT ASS'Y</p>	<p>See Page 2-11</p>
<p><b>FIGURE 7</b> PRESSURE ROLLER ASS'Y</p>	<p>See Page 2-13</p>	<p><b>FIGURE 8</b> CARRIAGE UNIT</p>	<p>See Page 2-15</p>

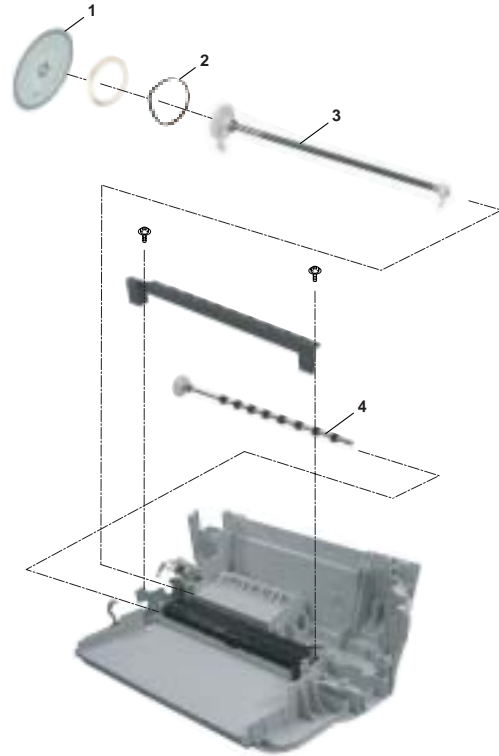
**FIGURE 9 SEPARATION UNIT**

See Page  
2-17



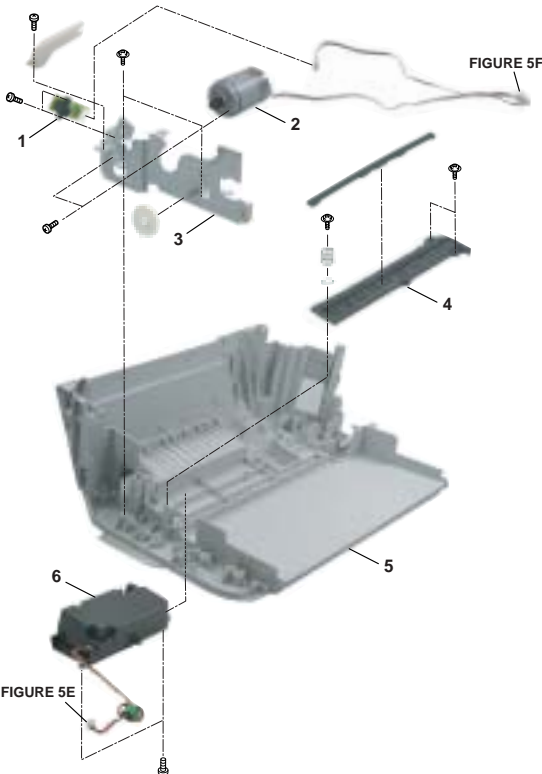
**FIGURE 10 PAPER FEED SECTION**

See Page  
2-19



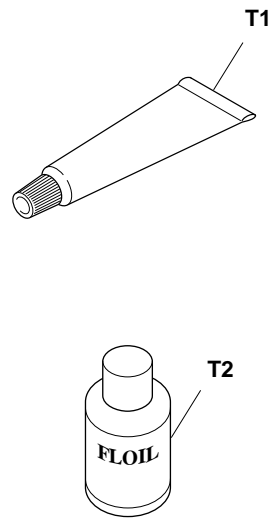
**FIGURE 11 PLATEN UNIT**

See Page  
2-21



**FIGURE 12 TOOLS**

See Page  
3-1

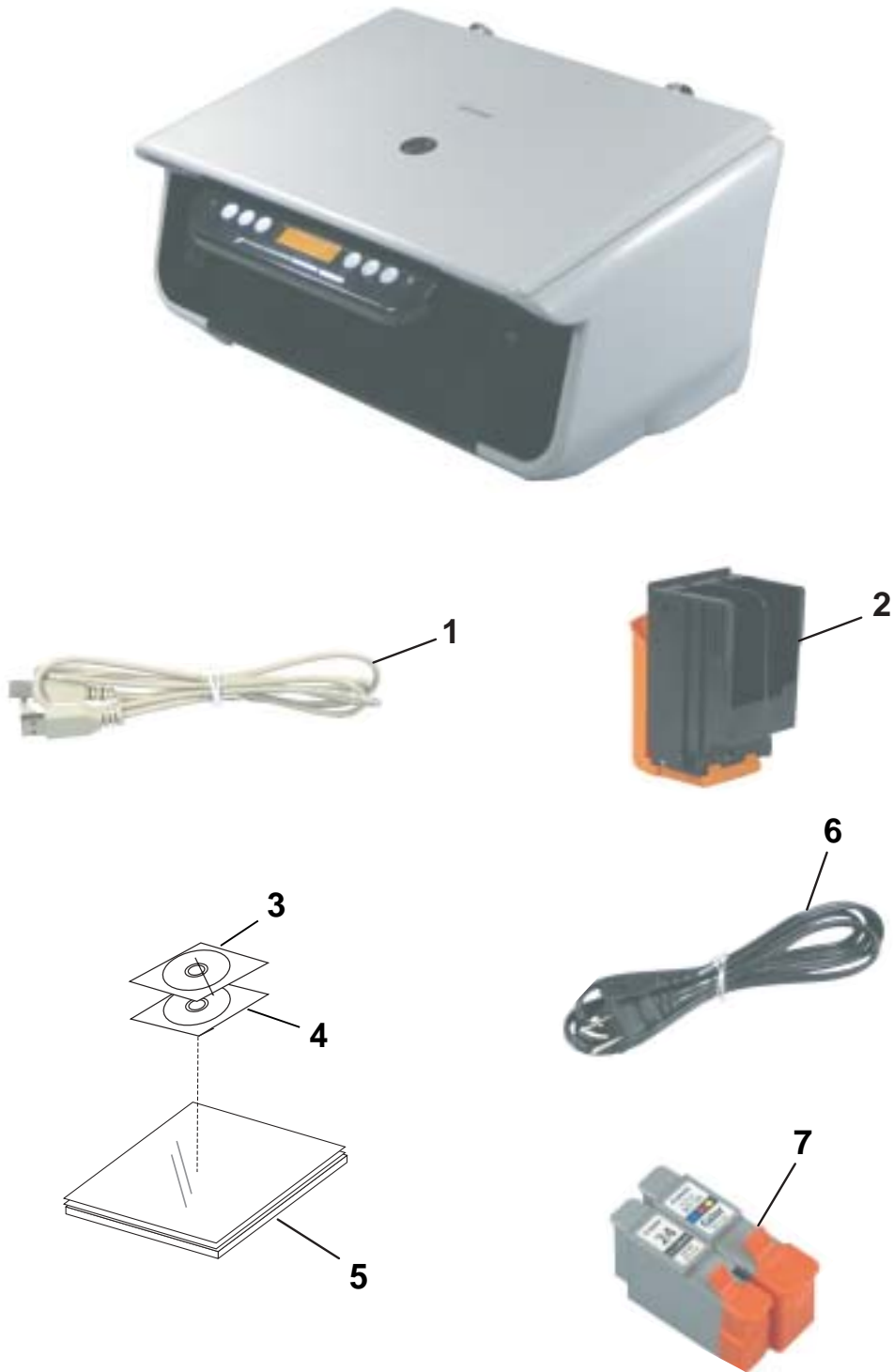




**This page intentionally left blank**

## 2. PARTS LAYOUT & PARTS LIST

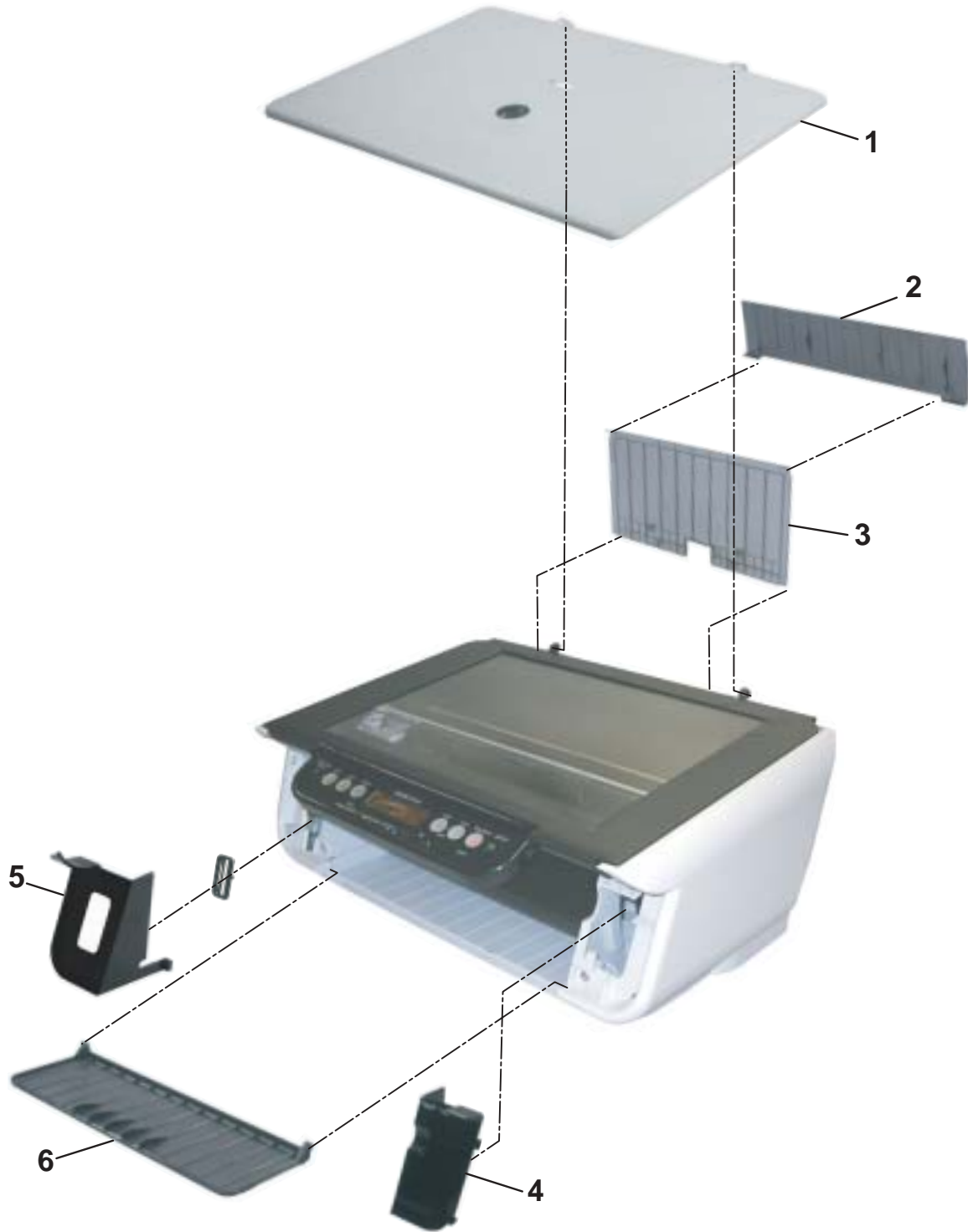
FIGURE 1 PIXMA MP110/MP130 PACKAGE CONTENTS



**PIXMA MP110/MP130 2.PARTS LAYOUT & PARTS LIST**

FIGURE & KEY No.	PART No.	RANK	QTY	DESCRIPTION	REMARKS
1 - 1	HY7-2790-000		1	CABLE, USB	KOR TWN
	HY6-0054-000		1	PRINT HEAD	
3	HK1-0690-000	N	1	CD-ROM, PRINTER DRIVER (WIN)	MP130(USA)
	HK1-0691-000	N	1	CD-ROM, PRINTER DRIVER (WIN)	MP110(EUR(EUM GB)) MP130(EUR(EUM) CND LTN EUR(GB))
4	HK1-0692-000	N	1	CD-ROM, PRINTER DRIVER (WIN)	EUR(EUM)
	HK1-0693-000	N	1	CD-ROM, PRINTER DRIVER (WIN)	EUR(EMB)
	HK1-0694-000	N	1	CD-ROM, PRINTER DRIVER (WIN)	MP110(CND KOR) MP130(CHN KOR TWN)
	HK1-0695-000	N	1	CD-ROM, PRINTER DRIVER (WIN)	AUS AE
	HK1-0697-000	N	1	CD-ROM, PRINTER DRIVER (MAC)	MP130(USA)
	HK1-0698-000	N	1	CD-ROM, PRINTER DRIVER (MAC)	MP110(EUR(EUM EMB GB)) MP130(EUR(EUM) CND LTN EUR(EMB GB))
5	HT7-0122-000	N	1	USER'S GUIDE (ENGLISH)	MP130(USA)
	HT7-0123-000	N	1	USER'S GUIDE (ENG/FR/ES/PT)	MP110(EUR(EUM GB)) MP130(EUR(EUM GB) CND LTN)
	HT7-0124-000	N	1	USER'S GUIDE (ENGLISH)	AUS AE
6	HT7-0125-000	N	1	USER'S GUIDE (DE/IT/NL/GR)	EUR(EUM)
	HT7-0126-000	N	1	USER'S GUIDE (DK/NO/SE/FI)	EUR(EUM)
	HT7-0127-000	N	1	U.GUIDE (E/RUS/UKR/EST/LV/LT)	EUR(EMB)
	HT7-0128-000	N	1	U.GUIDE (CZ/HU/POL/SLO/CRO)	EUR(EMB)
	HT7-0129-000	N	1	USER'S GUIDE (CHINESE)	CHN
7	HT7-0130-000	N	1	USER'S GUIDE (TAIWAN)	TWN
	HT7-0131-000	N	1	USER'S GUIDE (KOREA)	KOR
	HY7-3260-000		1	CORD, POWER SUPPLY	MP110(TWN) MP130(USA CND TWN)
	HY7-3261-000		1	CORD, POWER SUPPLY	MP130(LTN)
	HY7-3262-000		1	CORD, POWER SUPPLY	EUR(EUM EMB) AE
7	HY7-3263-000		1	CORD, POWER SUPPLY	EUR(GB)
	HY7-3264-000		1	CORD, POWER SUPPLY	AUS
	HY7-3266-000		1	CORD, POWER SUPPLY	CHN
	HY7-3267-000		1	CORD, POWER SUPPLY	KOR
	NPN		1	INK CARTRIDGE	

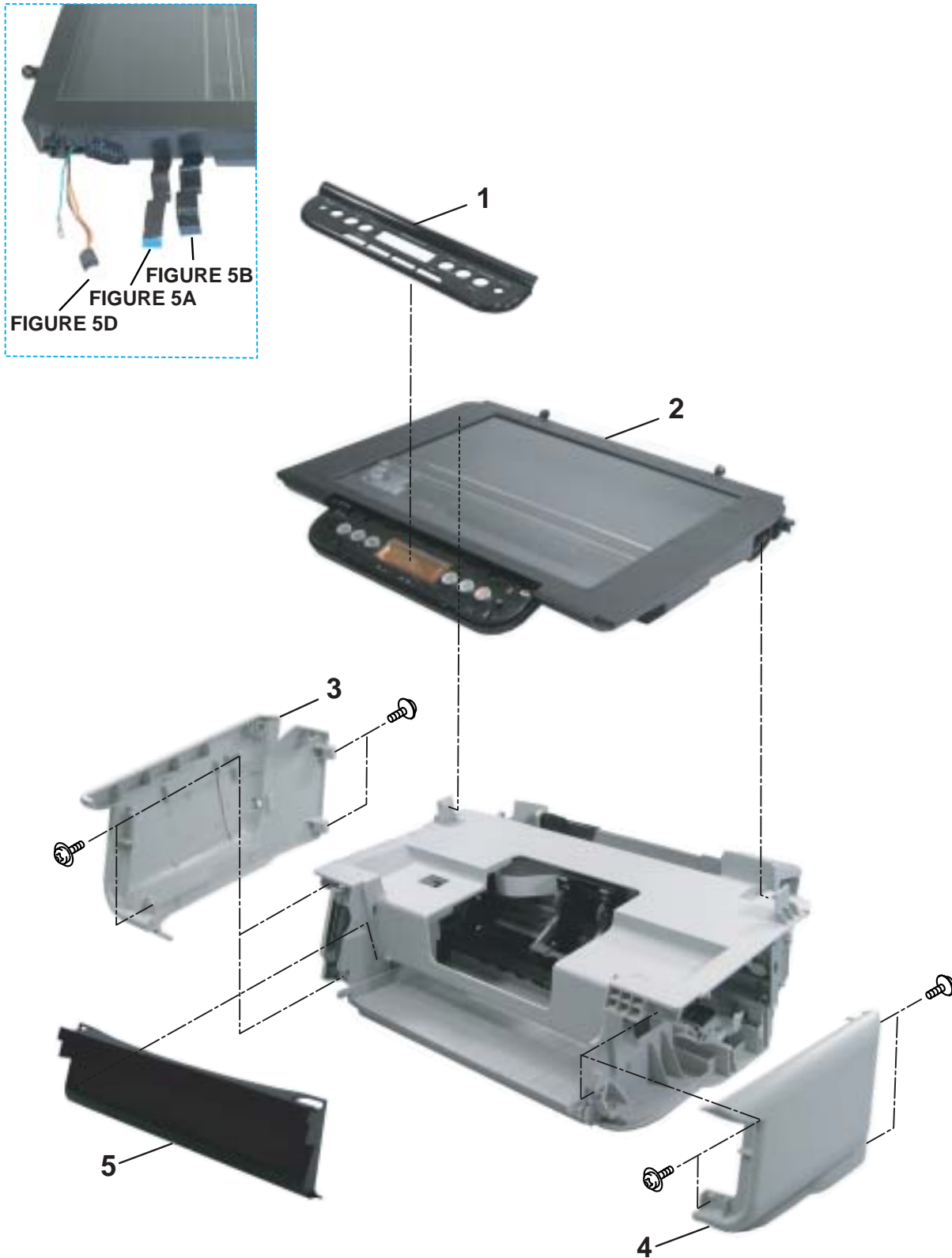
FIGURE 2 PRESSURE PLATE, REAR COVER



**PIXMA MP110/MP130 2.PARTS LAYOUT & PARTS LIST**

FIGURE & KEY No.	PART No.	R A N K	Q T Y	DESCRIPTION	REMARKS
2- 1	HY7-2807-000		1	PRESSURE PLATE ASS'Y	
2	HY7-2798-000		1	TRAY, PAPER UPPER	
3	HY7-2799-000		1	TRAY, PAPER LOWER	
4	HY7-2800-000		1	COVER, FRONT RIGHT	
5	HY7-2801-000		1	COVER, FRONT LEFT	MP110
	HY7-2802-000		1	COVER, FRONT LEFT	MP130
6	HY7-2797-000		1	TRAY, PAPER EXIT	

FIGURE 3 FLATBED ASS'Y, SIDE COVER



**PIXMA MP110/MP130 2.PARTS LAYOUT & PARTS LIST**

<b>FIGURE &amp; KEY No.</b>	<b>PART No.</b>	<b>RANK</b>	<b>QTY</b>	<b>DESCRIPTION</b>	<b>REMARKS</b>
3- 1	HY7-2808-000		1	COVER, OPERATION PANEL	MP130(USA AUS AE CND LTN EUR(EMB))
	HY7-3096-000		1	COVER, OPERATION PANEL	MP110(TWN)
	HY7-3097-000		1	COVER, OPERATION PANEL	MP110(EUR(EUM GB))
	HY7-3098-000		1	COVER, OPERATION PANEL	MP110(EUR(EMB) AE AUS)
	HY7-3099-000		1	COVER, OPERATION PANEL	MP110(CHN)
	HY7-3100-000		1	COVER, OPERATION PANEL	MP110(KOR)
	HY7-3101-000		1	COVER, OPERATION PANEL	MP130(TWN)
	HY7-3102-000		1	COVER, OPERATION PANEL	MP130(EUR(EUM GB))
	HY7-3103-000		1	COVER, OPERATION PANEL	MP130(KOR)
	HY7-3104-000		1	COVER, OPERATION PANEL	MP130(CHN)
2	HY7-2806-000		1	FLATBED UNIT	
3	HY7-2795-000		1	COVER, SIDE LEFT	MP110
	HY7-2804-000		1	COVER, SIDE LEFT	MP130
4	HY7-2794-000		1	COVER, SIDE RIGHT	MP110
	HY7-2803-000		1	COVER, SIDE RIGHT	MP130
5	HY7-2796-000	N	1	COVER, CARTRIDGE	

FIGURE 4 MIDDLE COVER

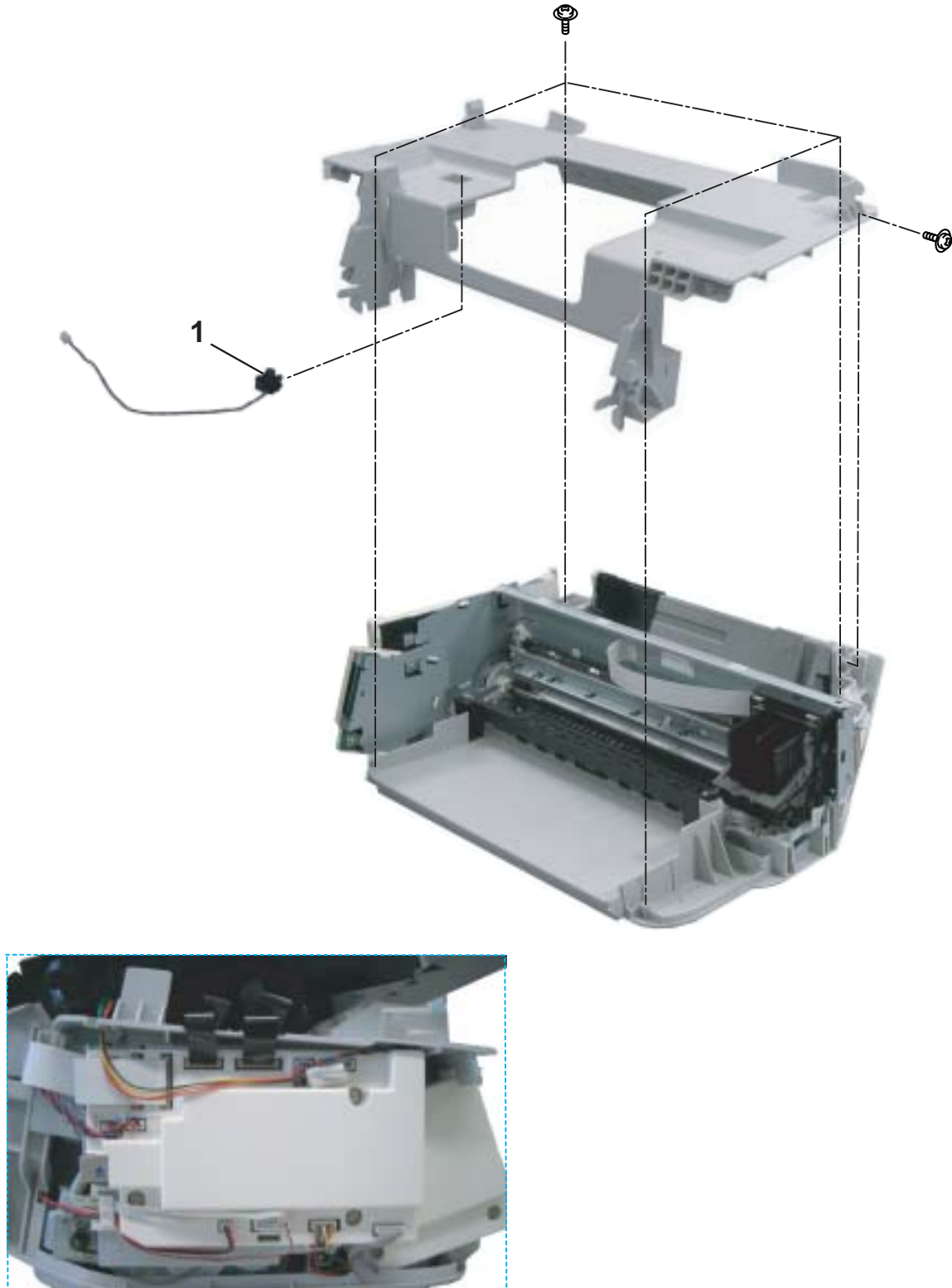




FIGURE & KEY No.	PART No.	R A N K	Q T Y	DESCRIPTION	REMARKS
4- 1	HY7-2805-000		1	PHOTO-INTERRUPTER	

FIGURE 5 MAIN BOARD, MULTI-CARD READER BOARD

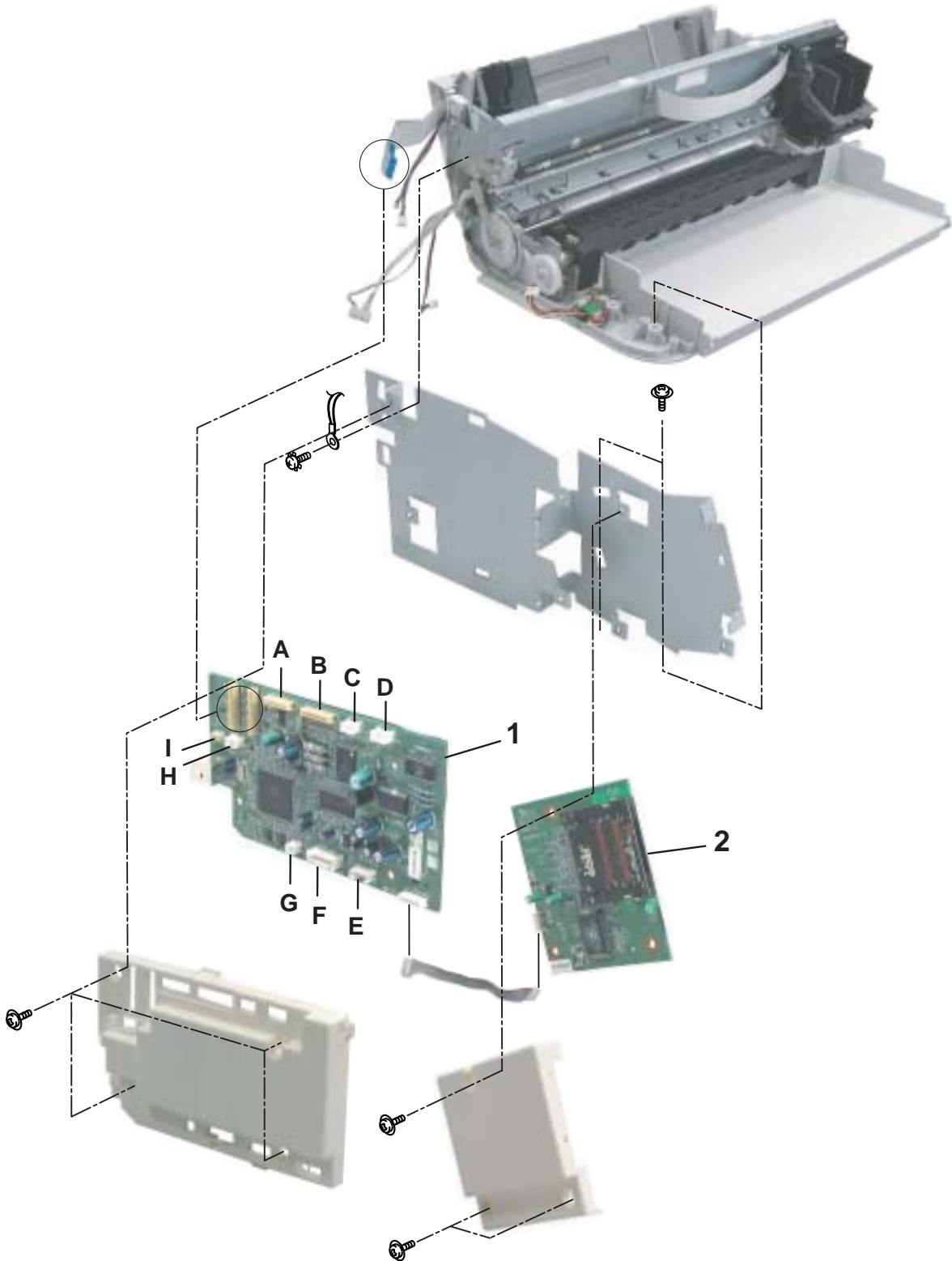
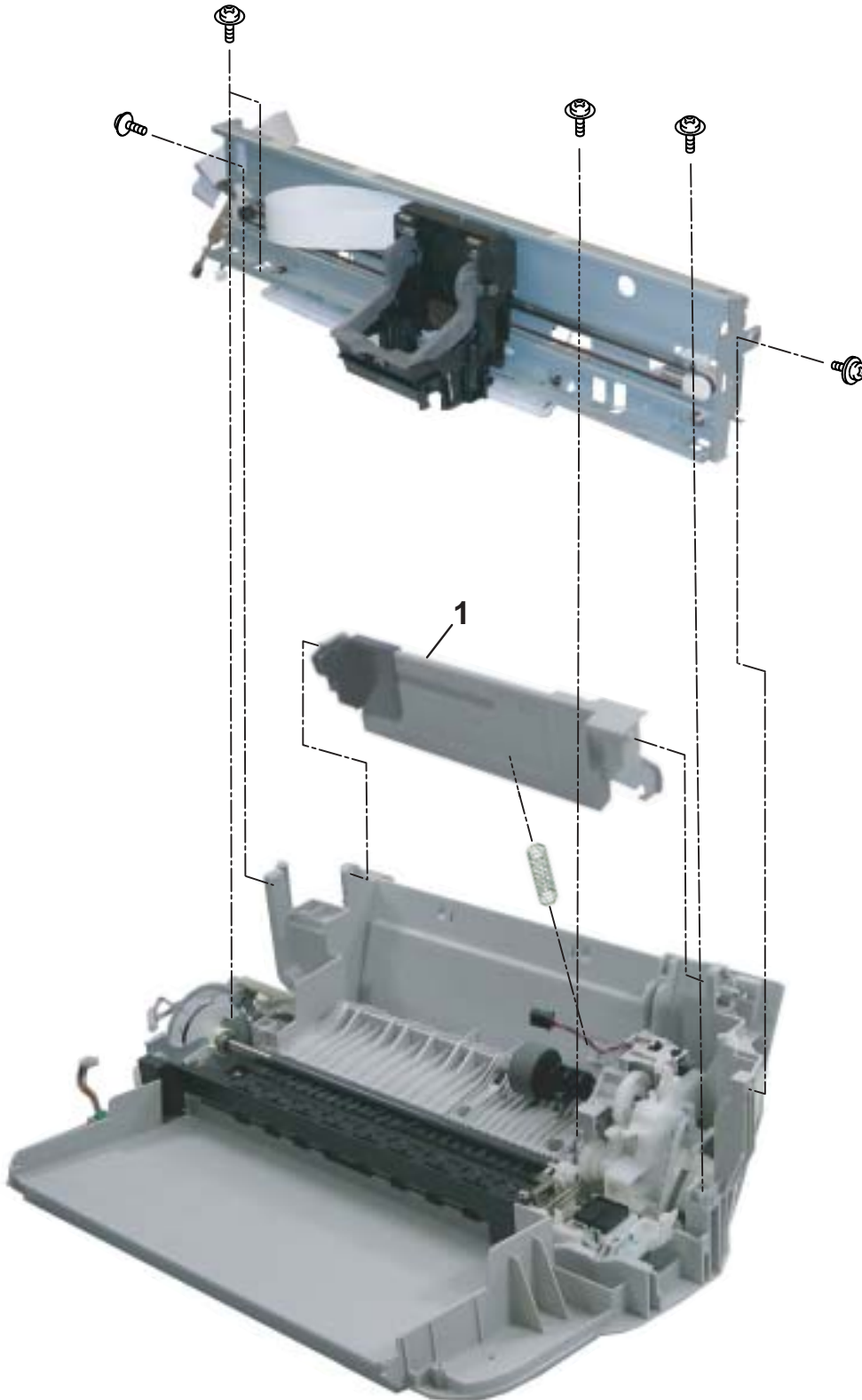


FIGURE & KEY No.	PART No.	R A N K	Q T Y	DESCRIPTION	REMARKS
5- 1	HY7-2810-000		1	MAIN BOARD ASS'Y	MP110
	HY7-2811-000		1	MAIN BOARD ASS'Y	MP130
2	HY7-2813-000		1	CARD READER PCB ASS'Y	MP130

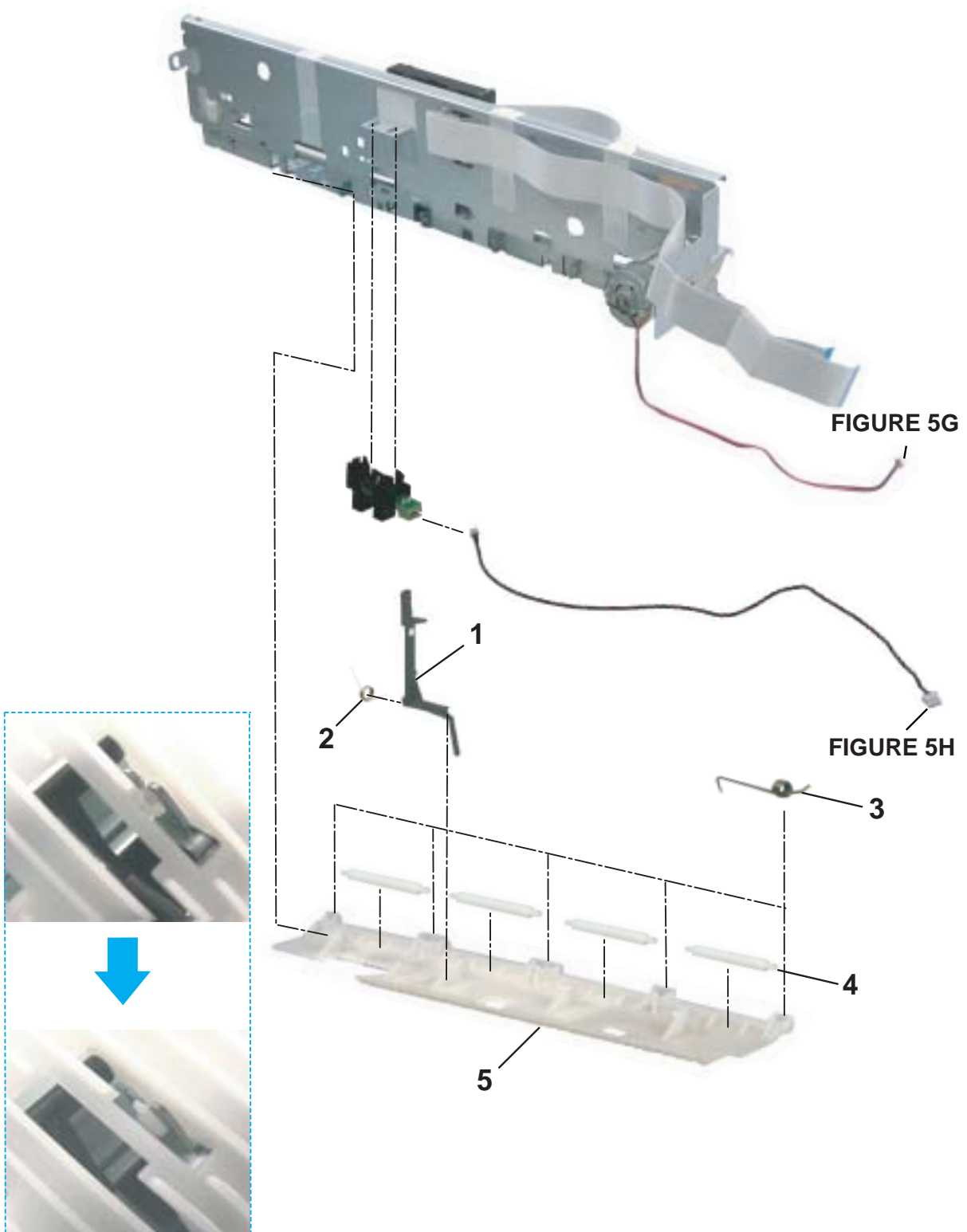
FIGURE 6 PRINT ASS'Y



**PIXMA MP110/MP130 2.PARTS LAYOUT & PARTS LIST**

FIGURE & KEY No.	PART No.	R A N K	Q T Y	DESCRIPTION	REMARKS
6- 1	HY7-2825-000		1	PRESSING PLATE UNIT	

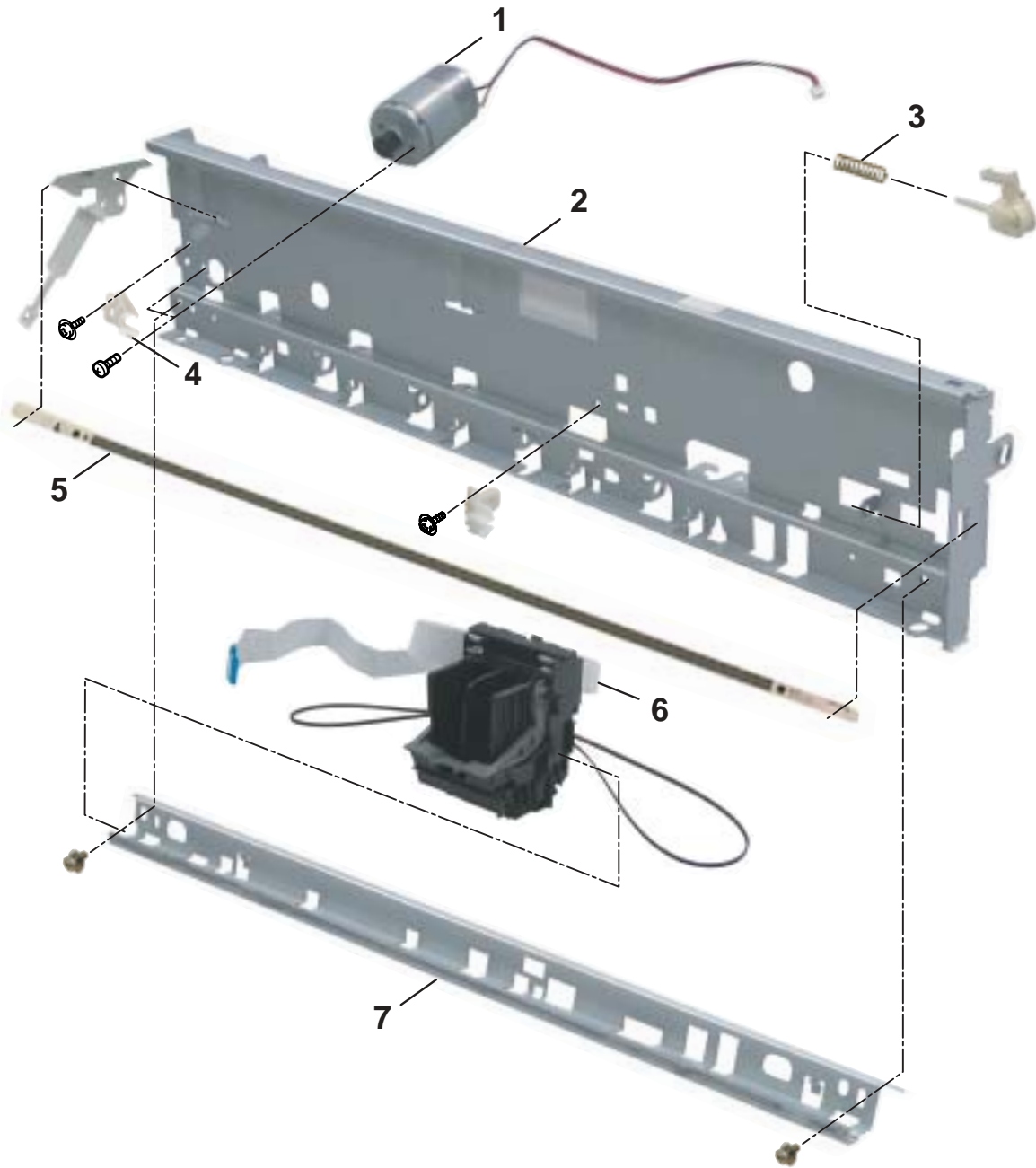
FIGURE 7 PRESSURE ROLLER ASS'Y



**PIXMA MP110/MP130 2.PARTS LAYOUT & PARTS LIST**

FIGURE & KEY No.	PART No.	R A N K	Q T Y	DESCRIPTION	REMARKS
7- 1	HY7-2837-000		1	ARM, PAPER EDGE SENSOR	
2	HY7-2841-000		1	SPRING, TORSION	
3	HY7-2842-000		5	SPRING, TORSION	
4	HY7-2835-000		4	ROLLER, PRESSURE	
5	HY7-2834-000		1	HOLDER, PRESSURE ROLLER	

FIGURE 8 CARRIAGE UNIT

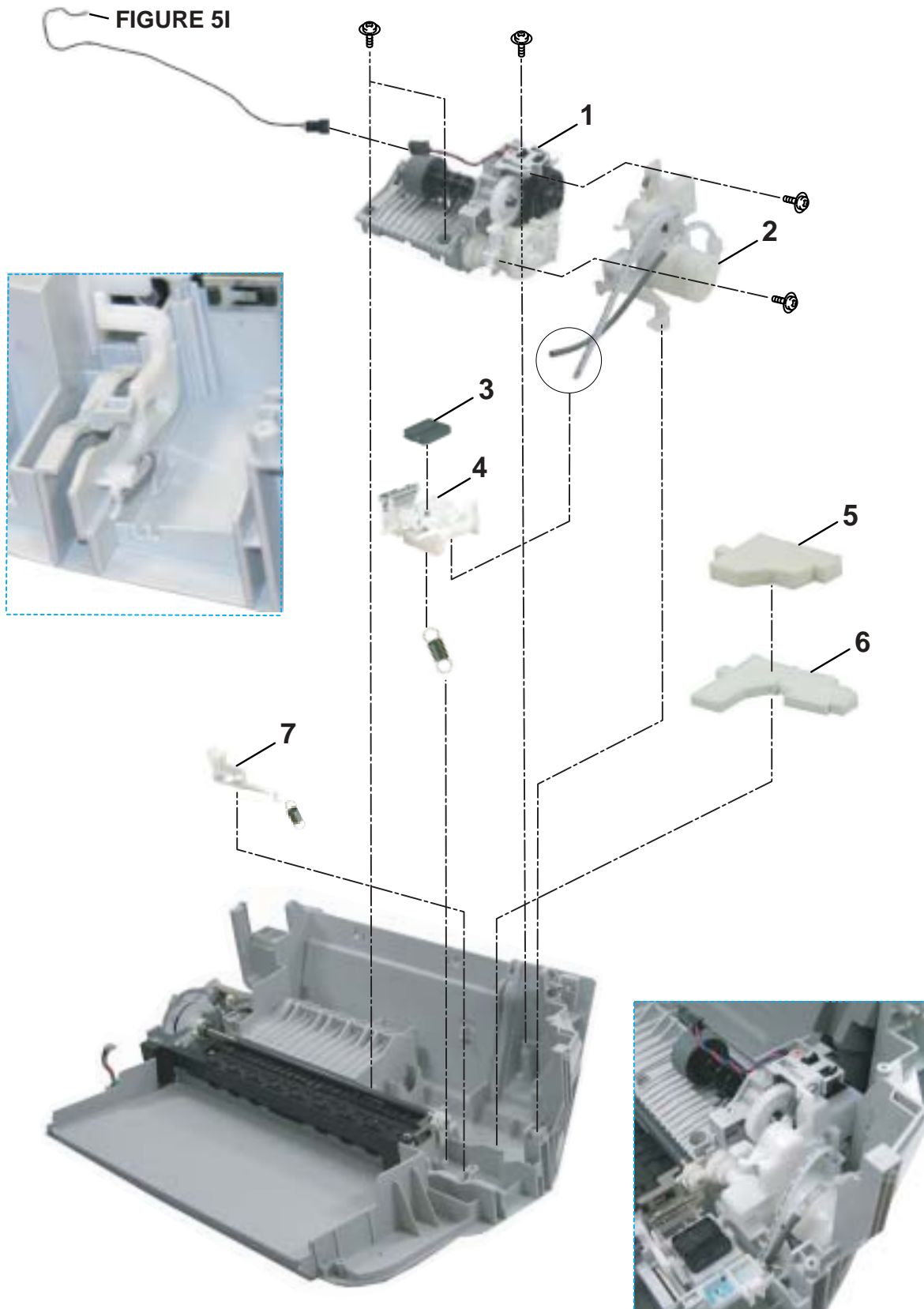




**PIXMA MP110/MP130 2.PARTS LAYOUT & PARTS LIST**

<b>FIGURE &amp; KEY No.</b>	<b>PART No.</b>	<b>RANK</b>	<b>QTY</b>	<b>DESCRIPTION</b>	<b>REMARKS</b>
8- 1	HY7-2843-000		1	CARRIADGE MOTOR UNIT	
2	HY7-2838-000	N	1	FLAME, PRINTER	
3	HY7-2840-000		1	SPRING, COIL	
4	HY7-2836-000		1	CAP, CARRIADE MOTOR	
5	HY7-2821-000		1	FILM, TIMING SLIT STRIP	
6	HY7-2844-000		1	CARRIADGE UNIT	
7	HY7-2839-000	N	1	RAIL, CARRIAGE	

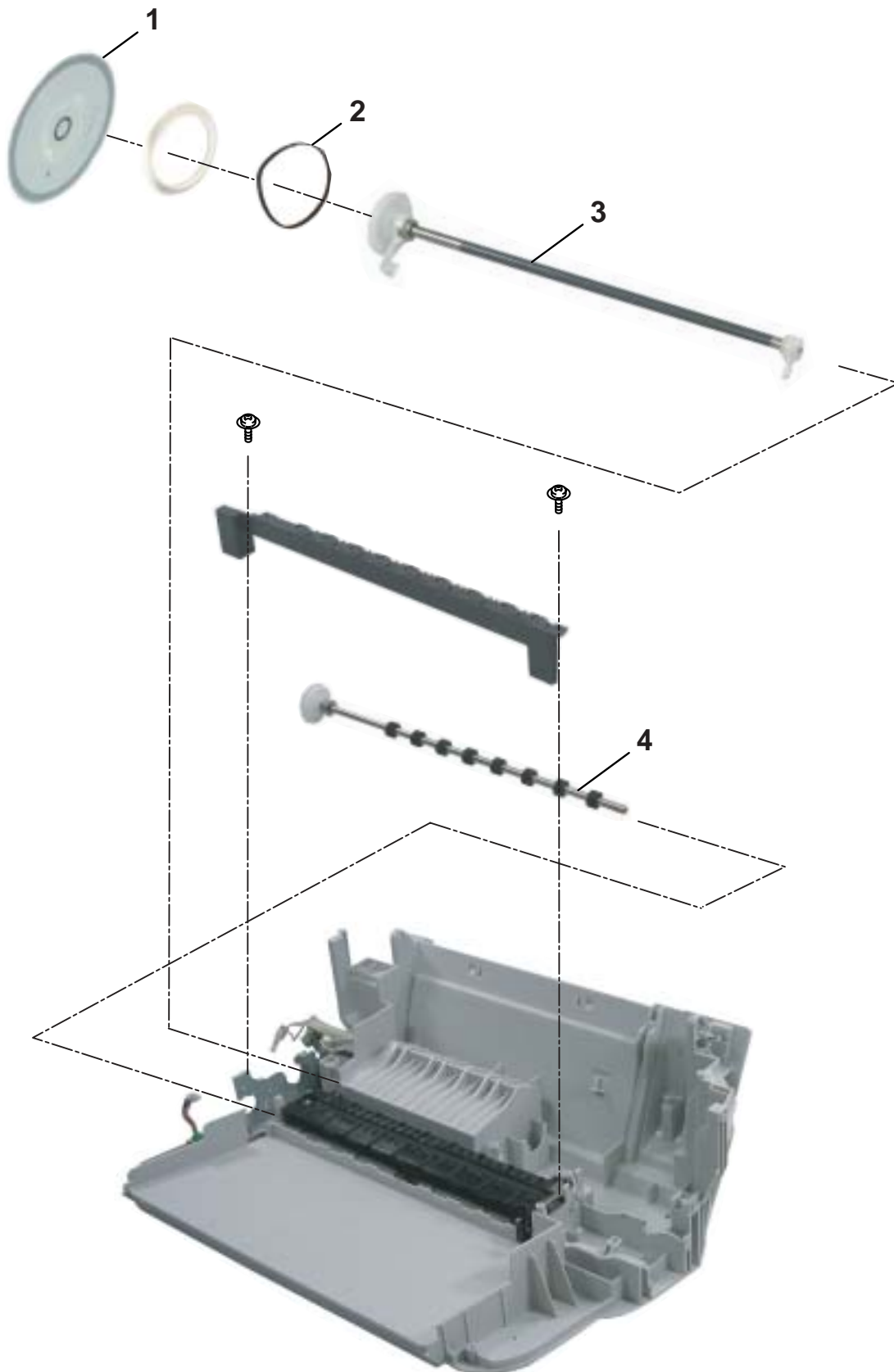
FIGURE 9 SEPARATION UNIT



**PIXMA MP110/MP130 2.PARTS LAYOUT & PARTS LIST**

<b>FIGURE &amp; KEY No.</b>	<b>PART No.</b>	<b>RANK</b>	<b>QTY</b>	<b>DESCRIPTION</b>	<b>REMARKS</b>
9- 1	HY7-2833-000		1	SEPARATION UNIT	
2	HY7-2832-000		1	PURGE UNIT	
3	HY7-2845-000		1	CAP UNIT	
4	HY7-2846-000		1	BLADE UNIT	
5	HY7-2819-000		1	ABSORBER, INK	
6	HY7-2820-000		1	ABSORBER, INK	
7	HY7-2815-000		1	LEVER, BLADE LOCK	

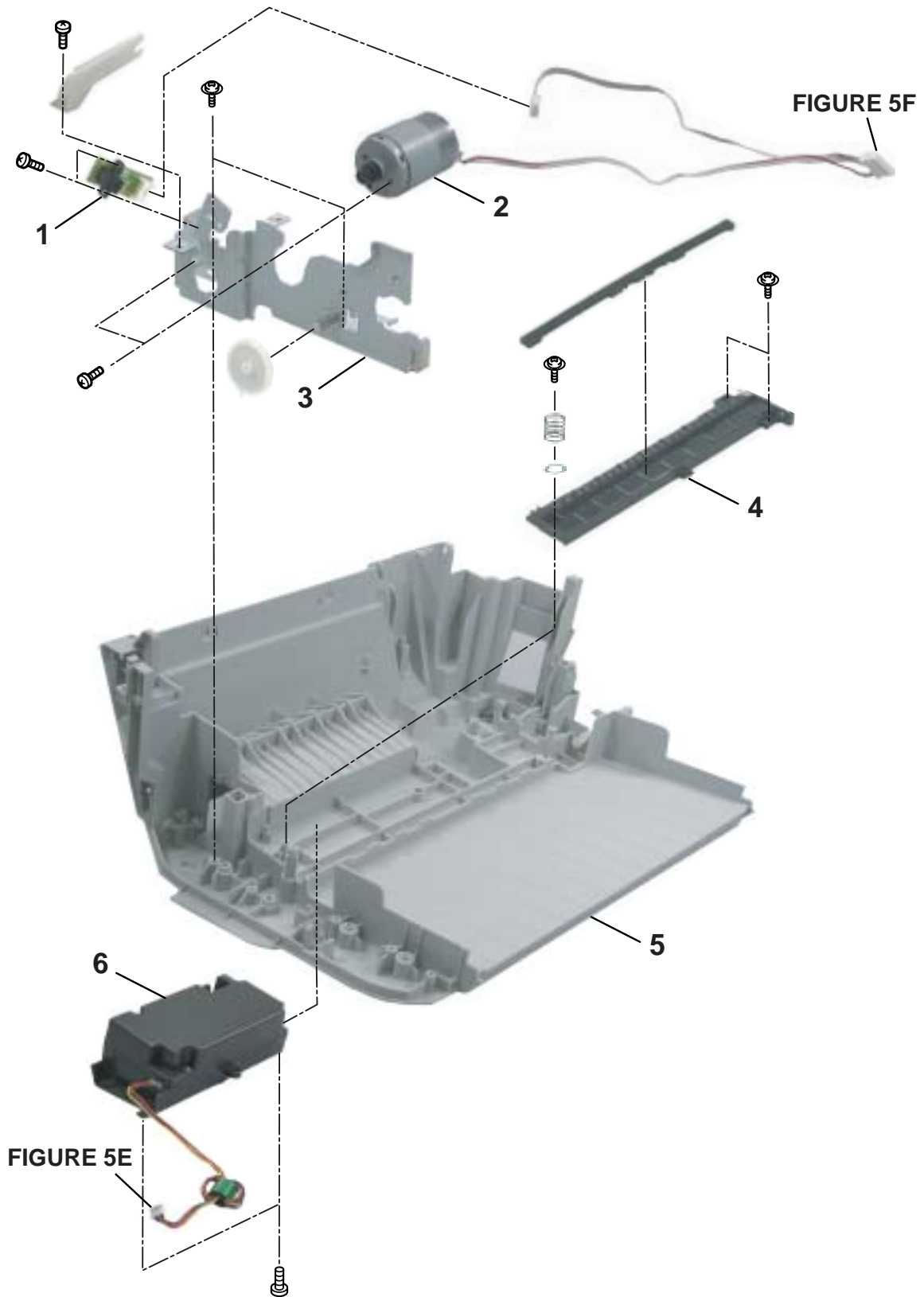
FIGURE 10 PAPER FEED SECTION



**PIXMA MP110/MP130 2.PARTS LAYOUT & PARTS LIST**

FIGURE & KEY No.	PART No.	R A N K	Q T Y	DESCRIPTION	REMARKS
10- 1	HY7-2817-000		1	FILM, TIMING SLIT DISK	
2	HY7-2816-000		1	BELT, PAPER FEED	
3	HY7-2830-000		1	PAPER FEED ROLLER UNIT	
4	HY7-2831-000		1	EJECT ROLLER UNIT	

FIGURE 11 PLATEN UNIT



**PIXMA MP110/MP130 2.PARTS LAYOUT & PARTS LIST**

<b>FIGURE &amp; KEY No.</b>	<b>PART No.</b>	<b>RANK</b>	<b>QTY</b>	<b>DESCRIPTION</b>	<b>REMARKS</b>
11- 1	HY7-2827-000		1	PAPER FEED SENSOR UNIT	
2	HY7-2826-000		1	PAPER FEED MOTOR UNIT	
3	HY7-2829-000		1	PAPER FEED CHASSIS ASS'Y	
4	HY7-2818-000		1	GUIDE, PRINT	
5	HY7-2824-000		1	BOTTOM FRAME ASS'Y	
6	HY7-3268-000		1	POWER SUPPLY UNIT	MP110(TWN) MP130(USA CND LTN TWN)
	HY7-3269-000		1	POWER SUPPLY UNIT	EUR(EUM EMB GB) AE AUS CHN KOR

# 3.TOOL

FIGURE 12 TOOLS

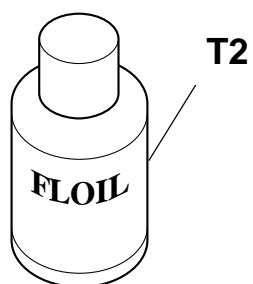
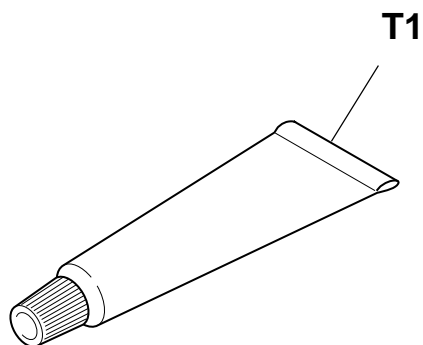




FIGURE & KEY No.	PART No.	R A N K	Q T Y	DESCRIPTION	REMARKS
12- T1 T2	CK-0562-000 QY9-0057-000		1 1	LUBE, MOLYKOTE PG-641 GREASE LUBE,FLOIL KG-107A,OIL	

# 4. NUMERICAL INDEX

PART NUMBER	FIGURE & KEY No.	DESCRIPTION	PART NUMBER	FIGURE & KEY No.	DESCRIPTION
CK-0562-000	12 - T1	LUBE, MOLYKOTE PG-641 GREASE	HY7-2830-000	10 - 3	PAPER FEED ROLLER UNIT
HK1-0690-000	1 - 3	CD-ROM, PRINTER DRIVER (WIN)	HY7-2831-000	10 - 4	EJECT ROLLER UNIT
HK1-0691-000	1 - 3	CD-ROM, PRINTER DRIVER (WIN)	HY7-2832-000	9 - 2	PURGE UNIT
HK1-0692-000	1 - 3	CD-ROM, PRINTER DRIVER (WIN)	HY7-2833-000	9 - 1	SEPARATION UNIT
HK1-0693-000	1 - 3	CD-ROM, PRINTER DRIVER (WIN)	HY7-2834-000	7 - 5	HOLDER, PRESSURE ROLLER
HK1-0694-000	1 - 3	CD-ROM, PRINTER DRIVER (WIN)	HY7-2835-000	7 - 4	ROLLER, PRESSURE
HK1-0695-000	1 - 3	CD-ROM, PRINTER DRIVER (WIN)	HY7-2836-000	8 - 4	CAP, CARRIAGE MOTOR
HK1-0697-000	1 - 4	CD-ROM, PRINTER DRIVER (MAC)	HY7-2837-000	7 - 1	ARM, PAPER EDGE SENSOR
HK1-0698-000	1 - 4	CD-ROM, PRINTER DRIVER (MAC)	HY7-2838-000	8 - 2	FLAME, PRINTER
HK1-0699-000	1 - 4	CD-ROM, PRINTER DRIVER (MAC)	HY7-2839-000	8 - 7	RAIL, CARRIAGE
HK1-0710-000	1 - 4	CD-ROM, PRINTER DRIVER (MAC)	HY7-2840-000	8 - 3	SPRING, COIL
HT7-0122-000	1 - 5	USER'S GUIDE (ENGLISH)	HY7-2841-000	7 - 2	SPRING, TORSION
HT7-0123-000	1 - 5	USER'S GUIDE (ENG/FR/ES/PT)	HY7-2842-000	7 - 3	SPRING, TORSION
HT7-0124-000	1 - 5	USER'S GUIDE (ENGLISH)	HY7-2843-000	8 - 1	CARRIAGE MOTOR UNIT
HT7-0125-000	1 - 5	USER'S GUIDE (DE/IT/NL/GR)	HY7-2844-000	8 - 6	CARRIAGE UNIT
HT7-0126-000	1 - 5	USER'S GUIDE (DK/NO/SE/FI)	HY7-2845-000	9 - 3	CAP UNIT
HT7-0127-000	1 - 5	U.GUIDE (E/RUS/UKR/EST/LV/LT)	HY7-2846-000	9 - 4	BLADE UNIT
HT7-0128-000	1 - 5	U.GUIDE (CZ/HU/POL/SLO/CRO)	HY7-3096-000	3 - 1	COVER, OPERATION PANEL
HT7-0129-000	1 - 5	USER'S GUIDE (CHINESE)	HY7-3097-000	3 - 1	COVER, OPERATION PANEL
HT7-0130-000	1 - 5	USER'S GUIDE (TAIWAN)	HY7-3098-000	3 - 1	COVER, OPERATION PANEL
HT7-0131-000	1 - 5	USER'S GUIDE (KOREA)	HY7-3099-000	3 - 1	COVER, OPERATION PANEL
HY6-0054-000	1 - 2	PRINT HEAD	HY7-3100-000	3 - 1	COVER, OPERATION PANEL
HY7-2790-000	1 - 1	CABLE, USB	HY7-3101-000	3 - 1	COVER, OPERATION PANEL
HY7-2794-000	3 - 4	COVER, SIDE RIGHT	HY7-3102-000	3 - 1	COVER, OPERATION PANEL
HY7-2795-000	3 - 3	COVER, SIDE LEFT	HY7-3103-000	3 - 1	COVER, OPERATION PANEL
HY7-2796-000	3 - 5	COVER, CARTRIDGE	HY7-3104-000	3 - 1	COVER, OPERATION PANEL
HY7-2797-000	2 - 6	TRAY, PAPER EXIT	HY7-3260-000	1 - 6	CORD, POWER SUPPLY
HY7-2798-000	2 - 2	TRAY, PAPER UPPER	HY7-3261-000	1 - 6	CORD, POWER SUPPLY
HY7-2799-000	2 - 3	TRAY, PAPER LOWER	HY7-3262-000	1 - 6	CORD, POWER SUPPLY
HY7-2800-000	2 - 4	COVER, FRONT RIGHT	HY7-3263-000	1 - 6	CORD, POWER SUPPLY
HY7-2801-000	2 - 5	COVER, FRONT LEFT	HY7-3264-000	1 - 6	CORD, POWER SUPPLY
HY7-2802-000	2 - 5	COVER, FRONT LEFT	HY7-3266-000	1 - 6	CORD, POWER SUPPLY
HY7-2803-000	3 - 4	COVER, SIDE RIGHT	HY7-3267-000	1 - 6	CORD, POWER SUPPLY
HY7-2804-000	3 - 3	COVER, SIDE LEFT	HY7-3268-000	11 - 6	POWER SUPPLY UNIT
HY7-2805-000	4 - 1	PHOTO-INTERRUPTER	HY7-3269-000	11 - 6	POWER SUPPLY UNIT
HY7-2806-000	3 - 2	FLATBED UNIT	QY9-0057-000	12 - T2	LUBE,FLOIL KG-107A,OIL
HY7-2807-000	2 - 1	PRESSURE PLATE ASS'Y			
HY7-2808-000	3 - 1	COVER, OPERATION PANEL			
HY7-2810-000	5 - 1	MAIN BOARD ASS'Y			
HY7-2811-000	5 - 1	MAIN BOARD ASS'Y			
HY7-2813-000	5 - 2	CARD READER PCB ASS'Y			
HY7-2815-000	9 - 7	LEVER, BLADE LOCK			
HY7-2816-000	10 - 2	BELT, PAPER FEED			
HY7-2817-000	10 - 1	FILM, TIMING SLIT DISK			
HY7-2818-000	11 - 4	GUIDE, PRINT			
HY7-2819-000	9 - 5	ABSORBER, INK			
HY7-2820-000	9 - 6	ABSORBER, INK			
HY7-2821-000	8 - 5	FILM, TIMING SLIT STRIP			
HY7-2824-000	11 - 5	BOTTOM FRAME ASS'Y			
HY7-2825-000	6 - 1	PRESSING PLATE UNIT			
HY7-2826-000	11 - 2	PAPER FEED MOTOR UNIT			
HY7-2827-000	11 - 1	PAPER FEED SENSOR UNIT			
HY7-2829-000	11 - 3	PAPER FEED CHASSIS ASS'Y			

**Canon**