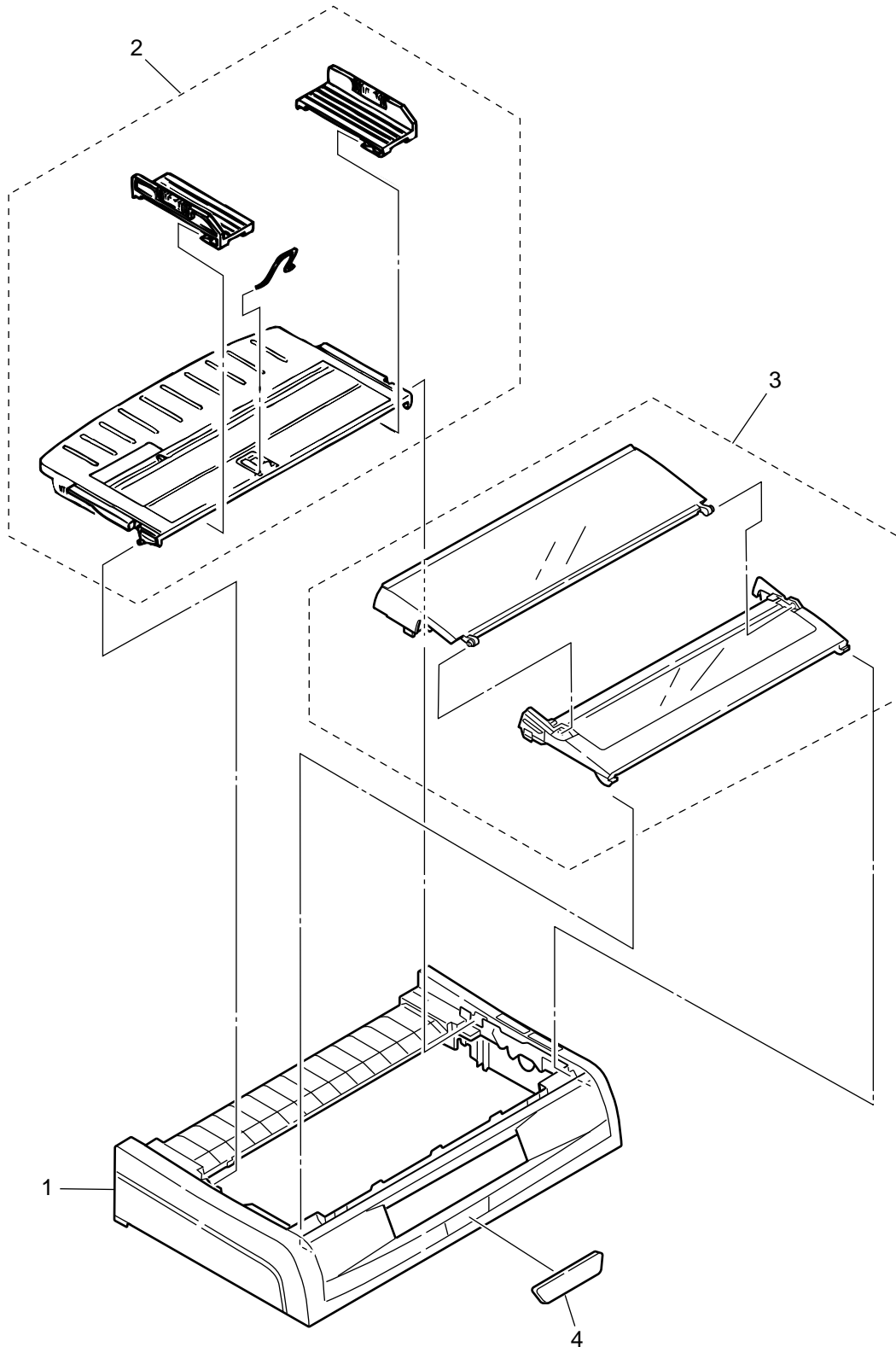


ML5520

SPARE PARTS LIST

Quantity per year: Indicates the recommended number of each part that should be ordered for routine maintenance for one year for 500 units of printers and assuming that the printers are operated for 2 hours/day of 600 hours/year. The following codes are used to indicate the number of printers for which maintenance parts are ordered.

**Figure B-1 Upper Cover Assy**

© OKI Systems (UK) Ltd.

For further information contact TCL Technology Ltd on +44 (0)1865 368232 or spares@tcltech.co.uk

ML5520

Table B-1 Upper Cover Assy

Rev. No.	No.	Part No.	Description	Q'ty	Q'ty Required	Remarks
2	1	42040801	Upper cover (N)	1	2	For PD426 (A standard color)
		42040802	Upper cover (N)	1	2	For PD426 (Dell color)
		42040901	Upper cover (W)	1	2	For PD427 (A standard color)
3		42040902	Upper cover (W)	1	2	For PD427 (Dell color)
2	2	1PA4094-7305G010	Sheet guide assy (N)	1	2	For PD426 (A standard color)
		40165004	Sheet guide assy (N)	1	2	For PD426 (Dell color)
		1PA4094-7308G011	Sheet guide assy (W)	1	2	For PD427 (A standard color)
3		41772403	Sheet guide assy (W)	1	2	For PD427 (Dell color)
2	3	42115401	Access cover assy (N)	1	2	For PD426 (A standard color)
		42115402	Access cover assy (N)	1	2	For PD426 (Dell color)
		42115301	Access cover assy (W)	1	2	For PD427 (A standard color)
3		42115304	Access cover assy (W)	1	2	For PD427 (Dell color)
	4	42087101	Logo plate	1	2	For PD426 AOS/ INTER
		42087105	Logo plate	1	2	For PD426 ODA
		42087102	Logo plate	1	2	For PD427 AOS INTER
		42087106	Logo plate	1	2	For PD427 ODA

ML5520

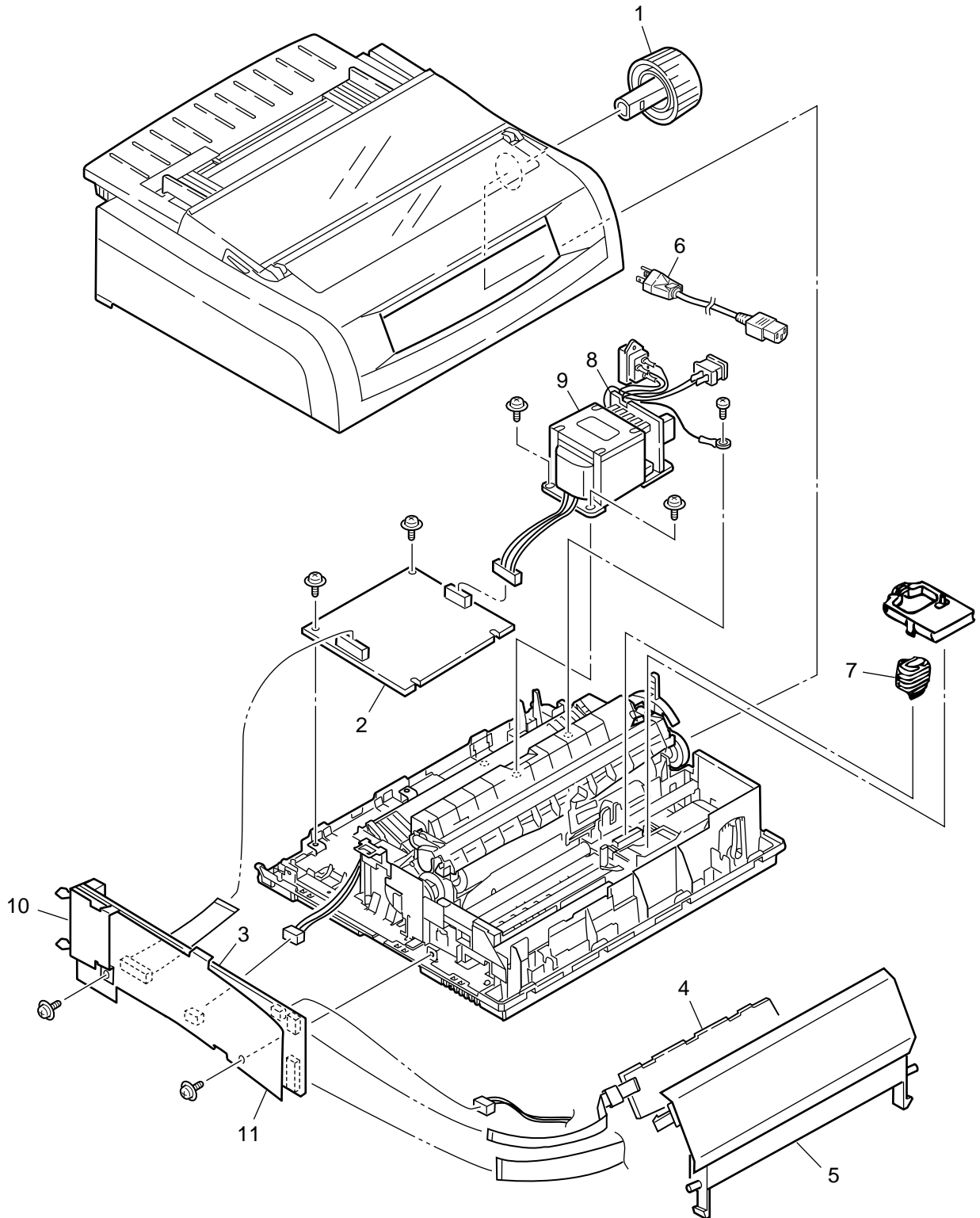


Figure B-2 Printer General Assy

© OKI Systems (UK) Ltd.

For further information contact TCL Technology Ltd on +44 (0)1865 368232 or spares@tcltech.co.uk

ML5520

Table B-2 Printer General Assy

Rev. No.	No.	Part No.	Description	Q'ty	Q'ty Required	Remarks
2	1	2PP4025-2871P021	Platen Knob	1	1	A standard color
		40211004	Platen Knob	1	1	Dell color
	2	42024002	Power supply board (TPW)	1	9	
	3	42021802	Control Board (NNS)	1	9	
2	4	4YA4042-1516G007	Operator panel board (LEOP)	1	3	
		5	42116101	Operation panel	1	2
		42116105	Operation panel	1	2	Dell color
	6	3YS4011-1315P001	AC cord for 120V	1	1	For ODA
		3YS4011-1266P001	AC cord for 230V	1	1	For ODA/OEL
		41888902	AC cord for 230V	1	1	For INT
	7	41923901	Printhead (9)	1	10	
	8	42124701	Fuse-Trans (125V 3.15A)	1	10	For 120V
		42124702	Fuse-Trans (250V 1.6A)	1	10	For 230V
	9	42021401	Transformer assy	1	2	For 120V
		42021501	Transformer assy	1	2	For 230V
10	42105001	FG plate B	1	2		
11	42257901	PCB sheet	1	2		

ML5520

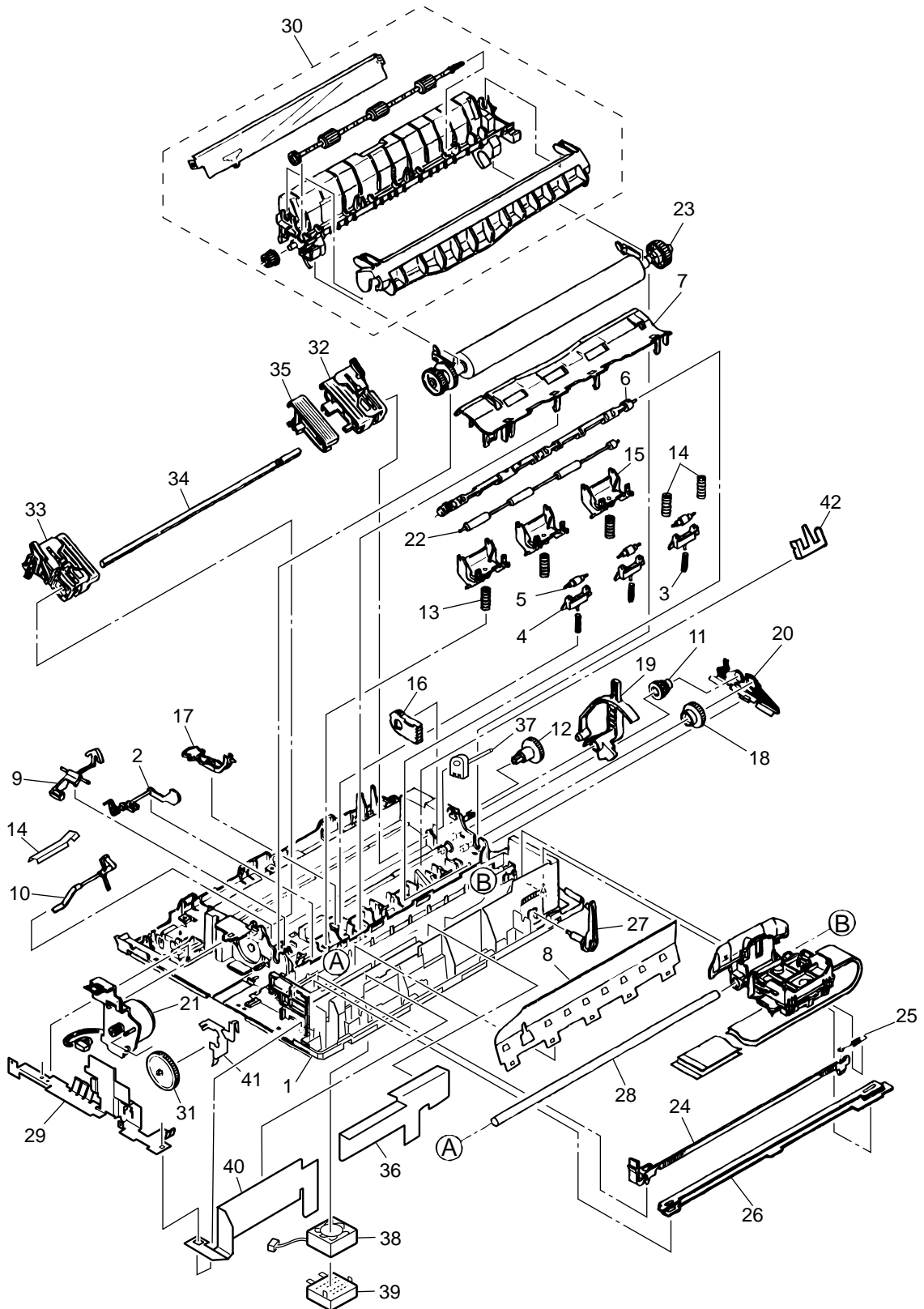


Figure B-3 Printer Unit

© OKI Systems (UK) Ltd.

For further information contact TCL Technology Ltd on +44 (0)1865 368232 or spares@tcltech.co.uk

ML5520

Table B-3 Printer Unit (1/2)

Rev. No.	No.	Part No.	Description	Q'ty	Q'ty Required	Remarks	ODA#
2	1	42114901	Main chassis assy (N)	1	2	For PD426 (A standard color)	
		42114902	Main chassis assy (N)	1	2	For PD426 (Dell color)	
3		42115001	Main chassis assy (W)	1	2	For PD427 (A standard color)	
		42115003	Main chassis assy (W)	1	2	For PD427 (Dell color)	
	2	3PP4044-5012P001	Bottom paper end lever	1	1		
	3	4PP4044-5019P001	Pressure spring (F)	3 5	2 4	For PD426 For PD427	
	4	4PP4044-5031P001	Roller holder (F)	3 5	6 8	For PD426 For PD427	
	5	4PA4025-3327G002	Front pressure roller	3 5	6 8	For PD426 For PD427	
	6	3PP4044-5015P001	Release shaft (N)	1	2	For PD426	
		3PP4044-5157P001	Release shaft (W)	1	2	For PD427	
	7	1PP4044-5021P001	Paper pan plate (N)	1	2	For PD426	
		1PP4044-5158P001	Paper pan plate (W)	1	2	For PD427	
	8	42046401	Leaf spring (N)	1	2	For PD426	
		42046501	Leaf spring (W)	1	2	For PD427	
	9	3PP4044-5011P001	Paper end lever	1	1		
	10	40775901	Sensor lever	1	1		
	11	4PP4025-3340P001	Change gear	1	2		51228001
	12	3PP4025-3341P001	Tractor gear	1	2		51228101
	13	4PP4044-5020P001	Pressure spring (R)	3 3	2 2	For PD426 For PD427	
	14	4PP4044-5163P001	Pressure spring (W)	2	1	For PD427	
	15	3PP4044-5033P001	Roller holder (R)	3 5	6 10	For PD426 For PD427	
	16	4PP4044-5017P001	Change arm lever	1	2		
	17	3PP4044-5014P001	Switch lever	1	1		
	18	4PP4044-5024P001	Idle gear (PLT)	1	2		
2	19	2PP4044-5016P001	Change lever	1	2	A standard color	
		42439101	Change lever	1	2	Dell color	
	20	3PP4044-5023P001	Reset spring D	1	2		
	21	41737901	LF motor assy	1	4		
	22	3PP4044-5034P001	Rear pressure roller (N)	1	2	For PD426	
		3PP4044-5162P001	Rear pressure roller (W)	1	2	For PD427	

ML5520

Table B-3 Printer Unit (2/2)

Rev. No.	No.	Part No.	Description	Q'ty	Q'ty Required	Remarks	ODA#
	23	3PA4044-5025G002	Platen assy (N)	1	3	For PD426	
		3PA4044-5159G002	Platen assy (W)	1	3	For PD427	
	24	40907901	Space rack gear (N)	1	3	For PD426	
		40908001	Space rack gear (W)	1	3	For PD427	
	25	4PB4025-3377P002	Tension spring for space rack	1	1		50923501
	26	3PP4044-5008P001	Guide rail plate (N)	1	1	For PD426	
		3PP4044-5155P001	Guide rail plate (W)	1	1	For PD427	
	27	3PP4025-2810P002	Adjust cam	1	1		
	28	4PP4044-5009P001	Carriage shaft	1	1	For PD426	
		4PP4044-5009P002	Carriage shaft	1	1	For PD427	
	29	42284401	FG plate (Weld)	1	1		
2	30	42044701	Pull-up roller assy (N)	1	2	For PD426 (A standard color)	
		42044703	Pull-up roller assy (N)	1	2	For PD426 (Dell color)	
		42045701	Pull-up roller assy (W)	1	2	For PD427 (A standard color)	
3		42045704	Pull-up roller assy (W)	1	2	For PD427 (Dell color)	
	31	40355101	Idle gear (9)	1	4		
	32	4PA4044-5041G002	Tractor frame assy (R)	1	2		
	33	4PA4044-5043G002	Tractor frame assy (L)	1	2		
	34	4PP4025-3335P003	Drive shaft	1	2	For PD426	
		4PP4025-3335P004	Drive shaft	1	2	For PD427	
	35	3PP4044-5046P001	Tractor sheet guide	1	2	For PD427	
	36	42111701	Head cable film (W)	1	2		
	37	3PP4044-5089P001	Change gear shaft	1	2		
	38	42119001	FAN	1	4		
2	39	42086601	FAN cover	1	2	A standard color	
		42086602	FAN cover	1	2	Dell color	
	40	42277201	Shield sheet (Front)	1	2	For PD427	
		42277202	Shield sheet (Front)	1	2	For PD426	
	41	42105201	FG spring F	1	2		
	42	4PP4044-5018P001	Support spring	1	2		

ML5520

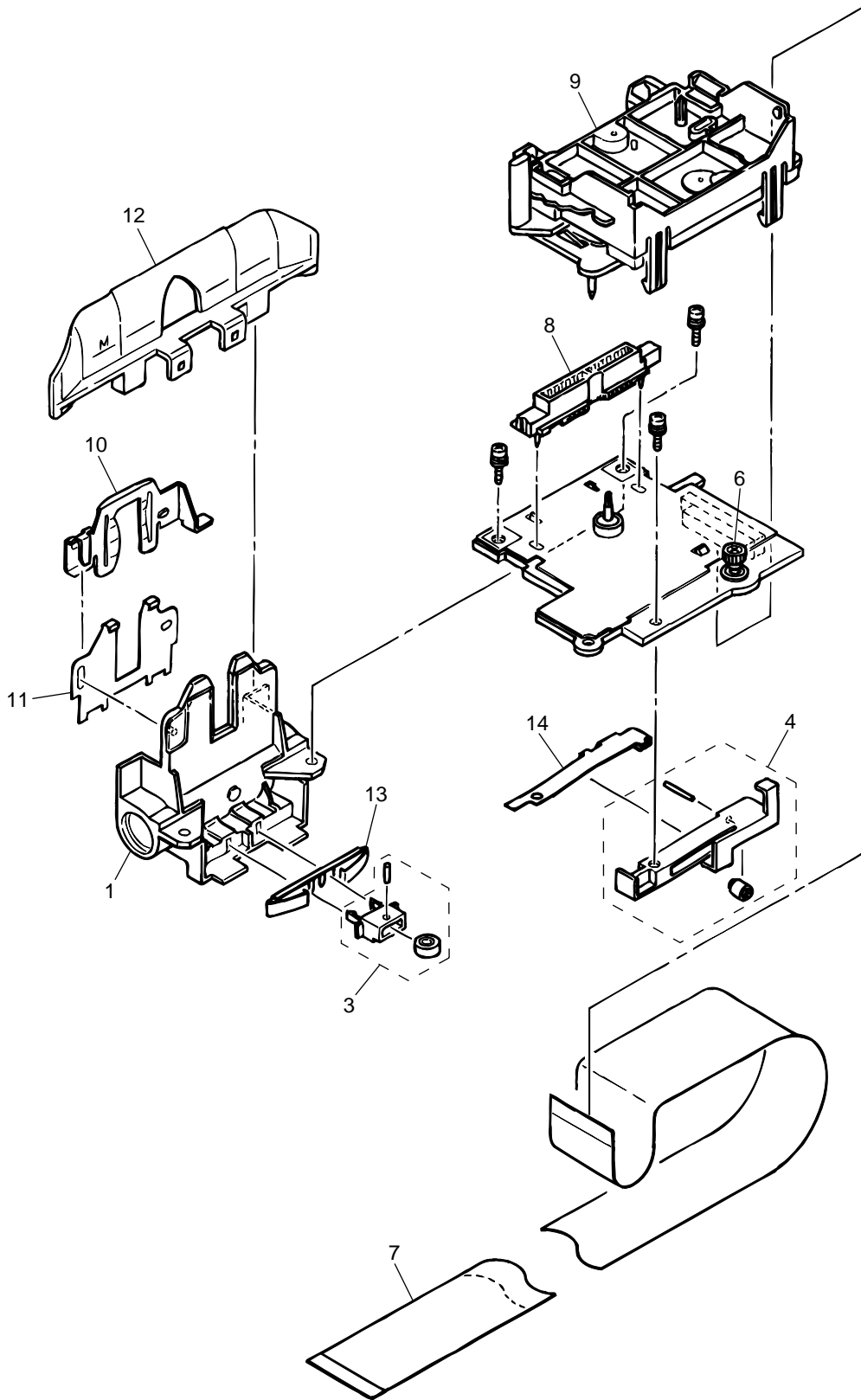


Figure B-4 Carriage Assy

© OKI Systems (UK) Ltd.

For further information contact TCL Technology Ltd on +44 (0)1865 368232 or spares@tcltech.co.uk

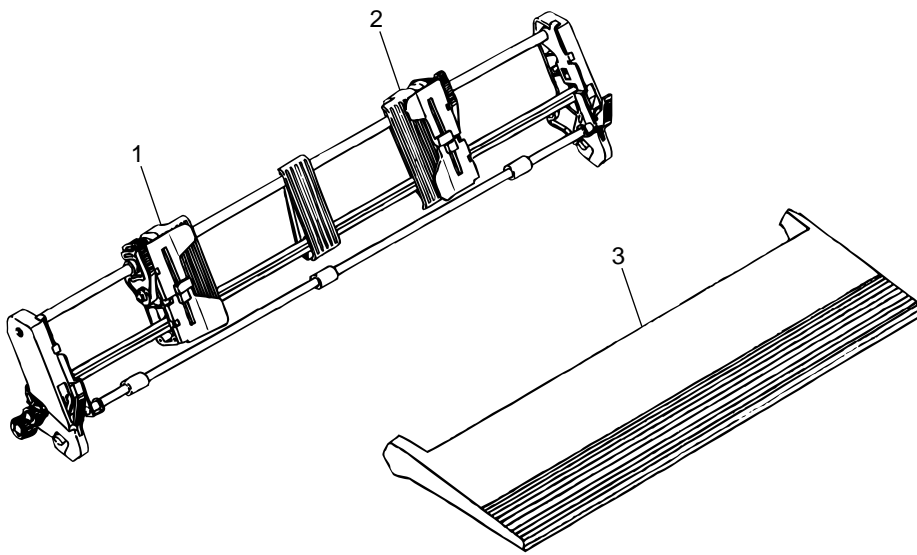
ML5520

Table B-4 Carriage Assy

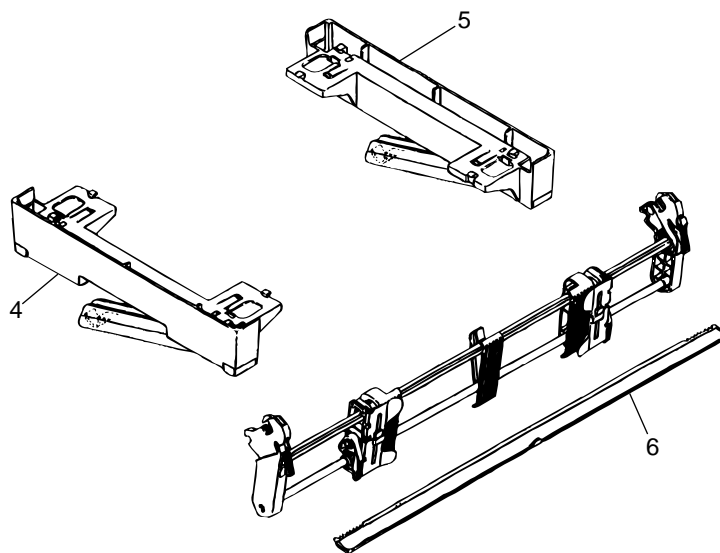
No.	Part No.	Description	Q'ty	Q'ty Required	Remarks	ODA#
1	4PP4044-5061G001	Carriage frame set	1	2		
2						
3	40917101	Back up roller holder assy	1	2		
4	40493301	Guide-roller assy	1	2		
5						
6	42103601	Space motor assy	1	4		
7	42177302	Head cable (23)	1	5		
8	3PB4044-5125P001	15-pin connector	1	2		
9	3PA4044-5070G002	Gear cace assy	1	3		
10	3PP4044-5068P001	Head clamp	1	1		
11	4PP4044-5067P001	Head plate	1	1		
12	3PP4044-5064P001	Ribbon protector	1	2		53562801
13	4PP4025-3397P002	Back up roller holder spring	1	1		
14	4PP4044-5066P001	Guide roller spring	1	1		

ML5520

[Pull-Tractor]



[Bottom-Tractor]



[I/F Board]

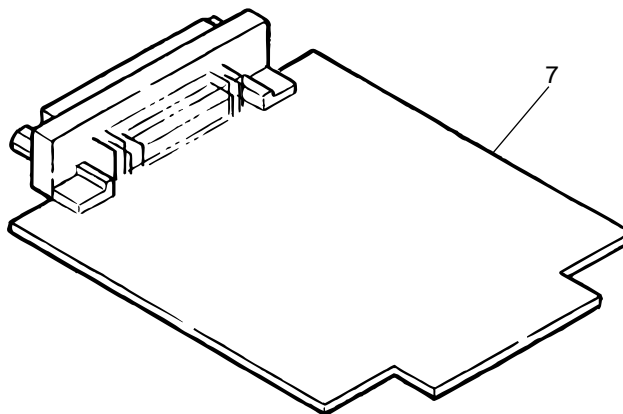


Figure B-5 Option Spare Parts

© OKI Systems (UK) Ltd.

For further information contact TCL Technology Ltd on +44 (0)1865 368232 or spares@tcltech.co.uk

ML5520

Table B-5 Option Spare Parts

Rev. No.	No.	Part No.	Description	Q'ty	Q'ty Required	Remarks	ODA#
	1	4PA4025-3608G001	Pull and bottom tractor assy (L)	1	2		
	2	4PA4025-3603G001	Pull and bottom tractor assy (R)	1	2		
	3	2PP4128-1239G001	Tractor cover assy (N)	1	3	For PD426	
		2PP4128-1243G001	Tractor cover assy (W)	1	3	For PD427	
2	4	1PA4128-1277G001	Bottom push stand (L)	1	2	A standard color	
		42451601	Bottom push stand (L)	1	2	Dell color	
2	5	1PA4128-1277G002	Bottom push stand (R)	1	2	A standard color	
		42451602	Bottom push stand (R)	1	2	Dell color	
	6	4PP4094-7385G001	Paper knife (N)	1	1	For PD426	
		4PP4094-7386G001	Paper knife (W)	1	1	For PD427	
	7	4YA4021-1050G001	RS232 I/F board (LXHI)	1	3		