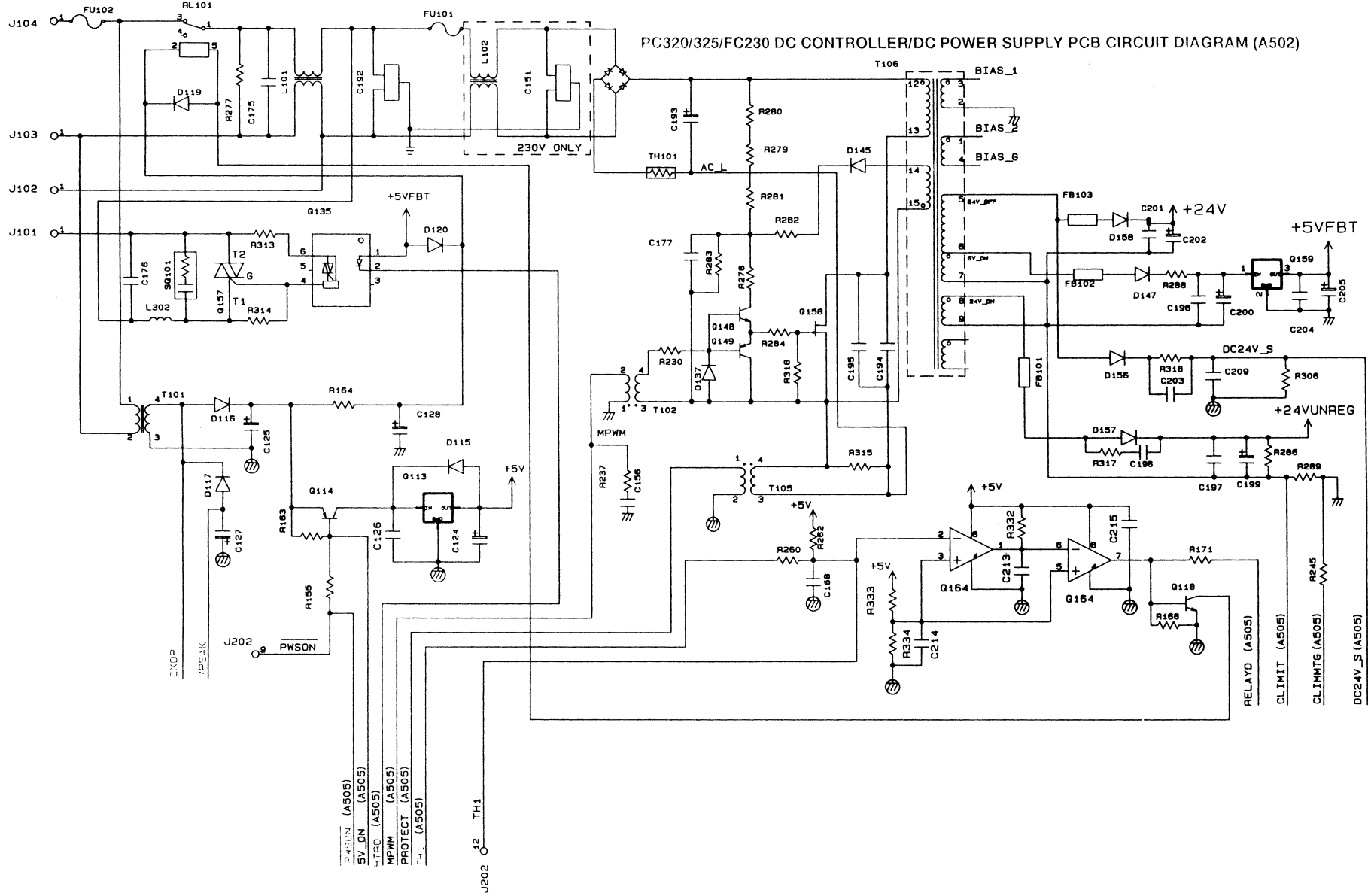


PC320/325/FC230 DC CONTROLLER/DC POWER SUPPLY PCB CIRCUIT DIAGRAM (A502)

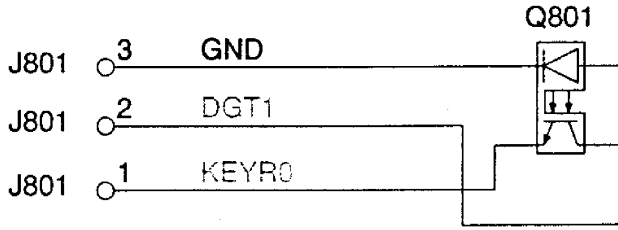


- PWSN (A505)
- 5V_UN (A505)
- MPWM (A505)
- PROTECT (A505)
- TH1 (A505)

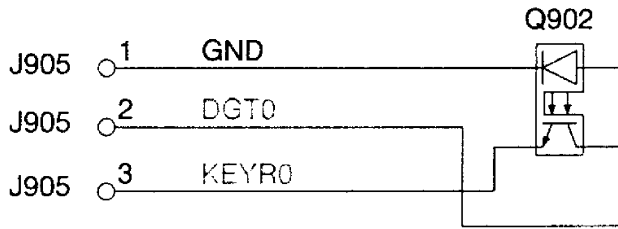
J202 TH1

- RELAYD (A505)
- CLIMIT (A505)
- CLIMNTG (A505)
- DC24V_S (A505)

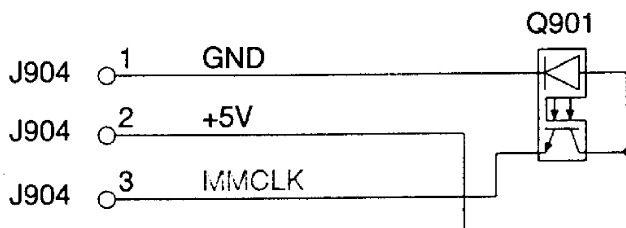
DELIVERY DETECTION PCB CIRCUIT DIAGRAM



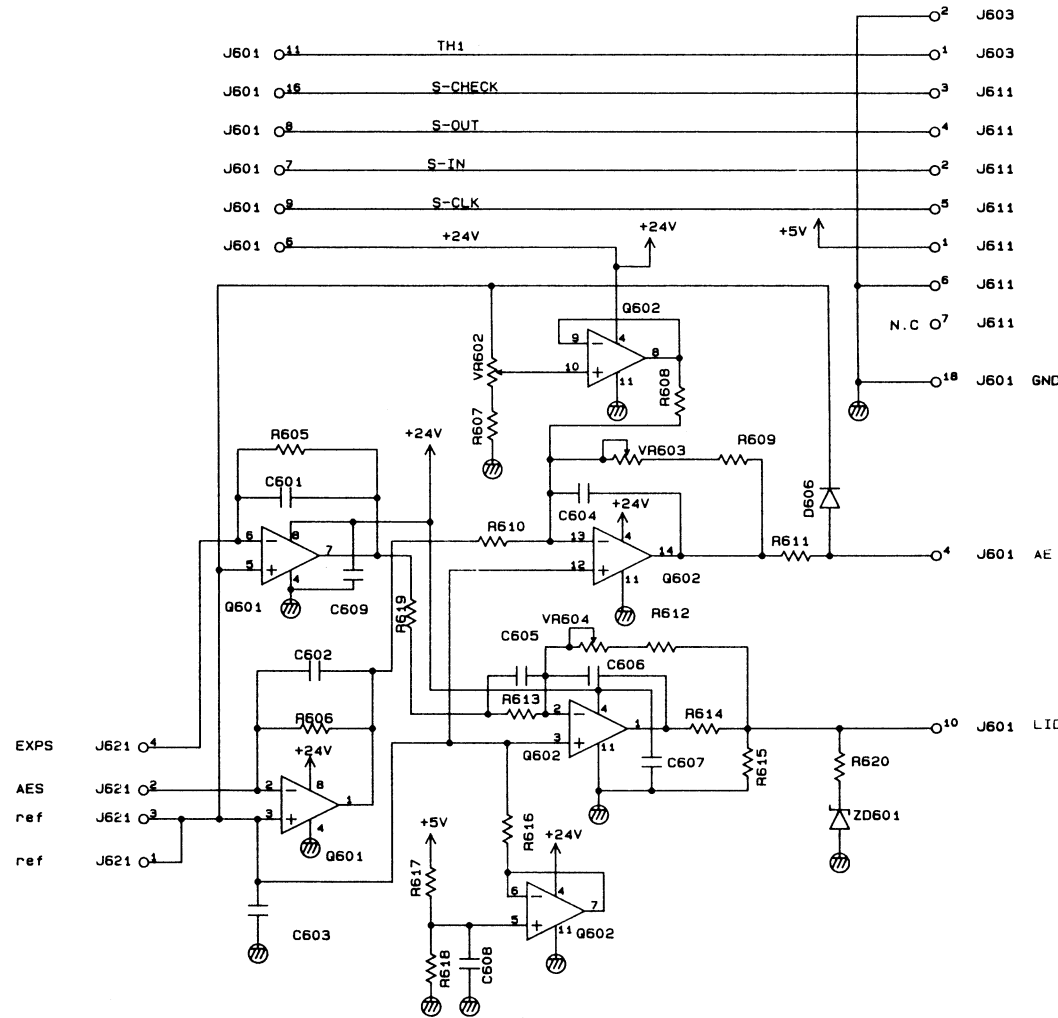
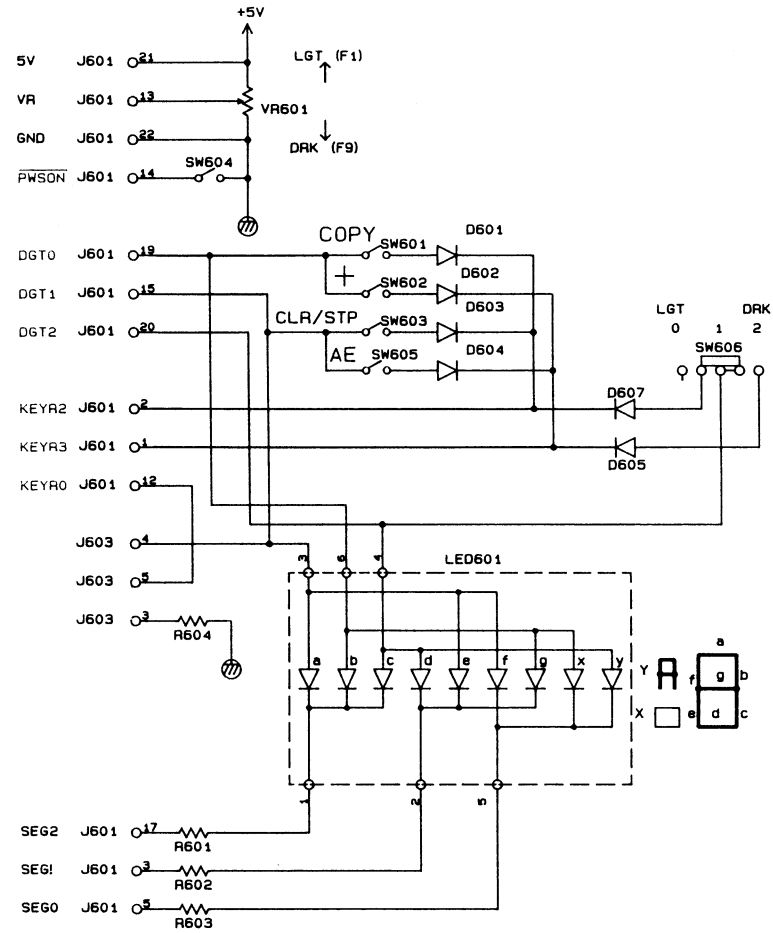
COPYBOARD POSITION DETECTION PCB CIRCUIT DIAGRAM



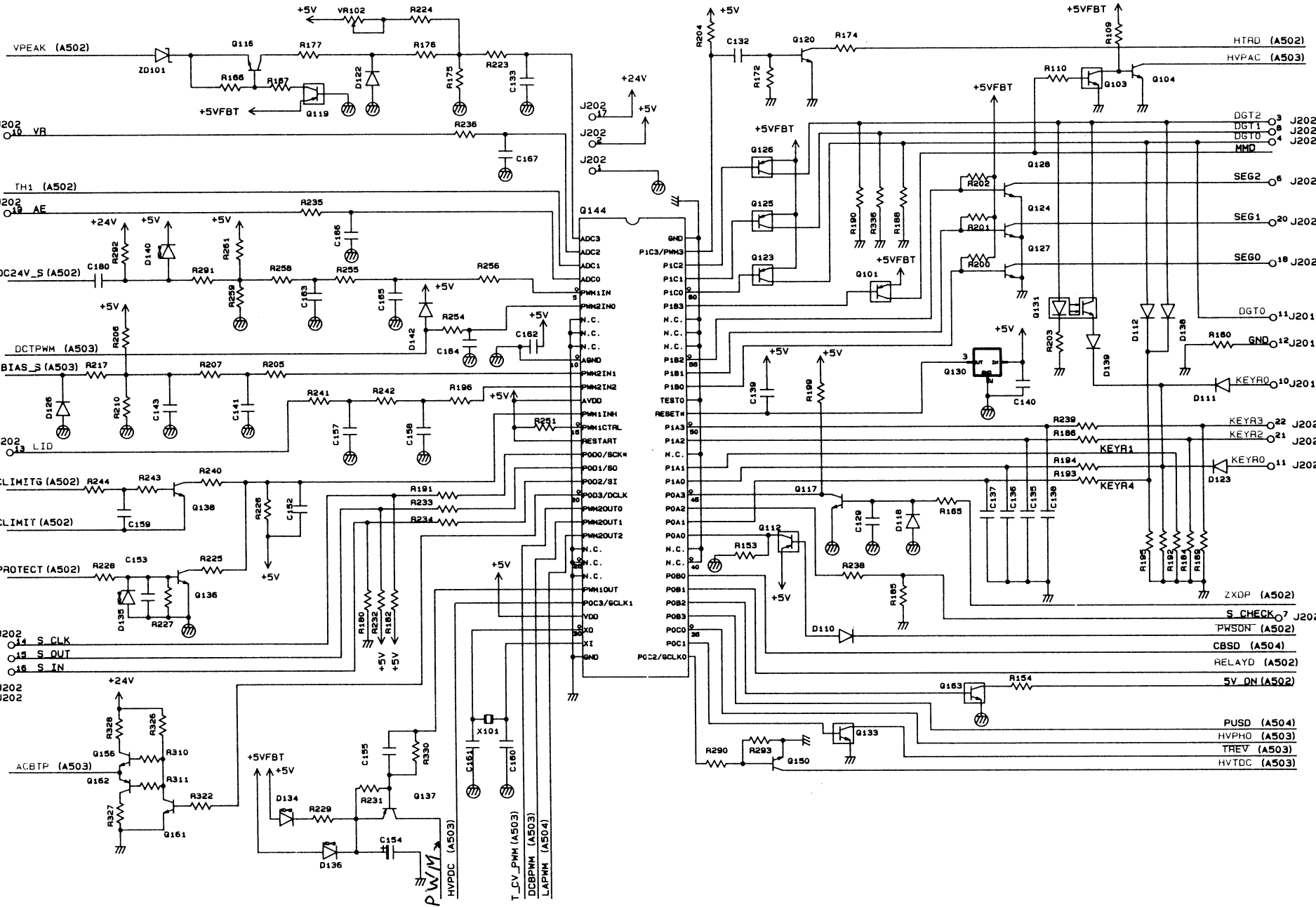
MOTOR ROTATION DETECTION PCB CIRCUIT DIAGRAM



PC320/325/FC230 CONTROL PANEL CIRCUIT DIAGRAM



PC320/325/FC230 DC CONTROLLER/DC POWER SUPPLY PCB CIRCUIT DIAGRAM (A505)



MPW

PC320/325/FC230 DC CONTROLLER/DC POWER SUPPLY PCB CIRCUIT DIAGRAM (A504)

