



Parts Catalog - SCX-483x series SCX-563x/ 573x series



1. Speed

- SCX-483x series : 31 ppm in A4 / 33 ppm in Letter
- SCX-5x3x series : 35 ppm in A4 / 37 ppm in Letter

2. Processor

- SCX-483xFD : 360 MHz
- SCX-483xFR / SCX-5x3x series : 600 MHz

3. Printer Languages

- PCL6, PS3

4. Memory (Std / Max)

- SCX-483xFD : 128 MB/ 384 MB
- SCX-483xFR / SCX-5x3x series : 256 MB/ 768 MB

5. Interfaces

- High Speed USB 2.0
- 10/100 BaseTX network connector (SCX-483xFD)

- 10/100/1000 BaseTX network connector (SCX-483xFR/ SCX-5x3x series)
- 802.11b/g/n wireless LAN (SCX-573xFW)

6. Toner cartridge (Initial / Sales)

- SCX-483x series : 2K / 2K, 5K
- SCX-5x3x series : 5K / 2K, 5K, 10K

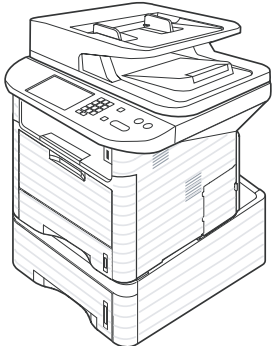
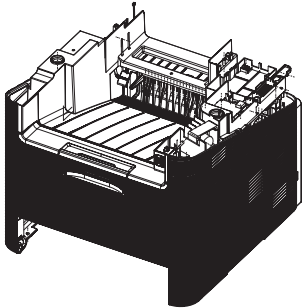
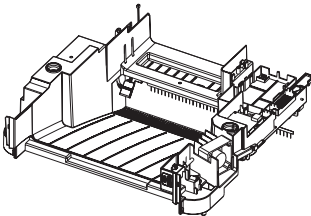
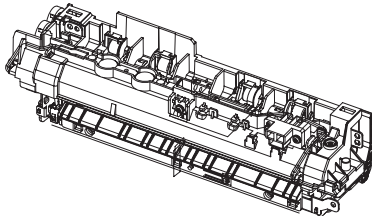
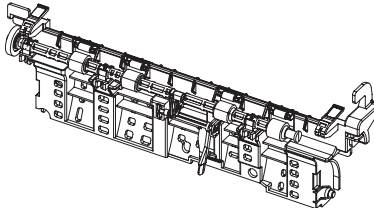
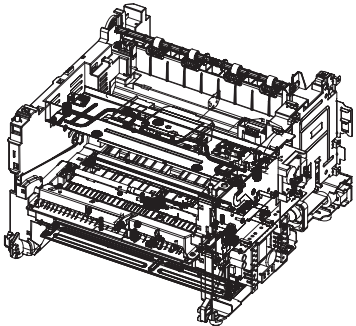
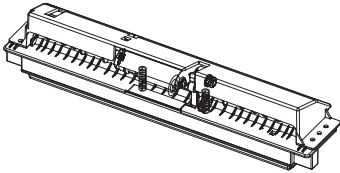
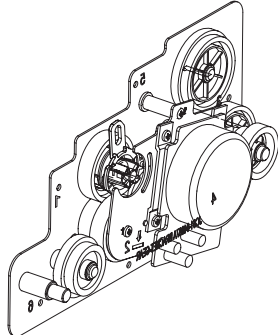
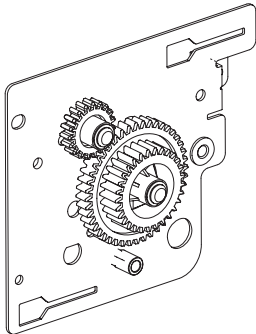
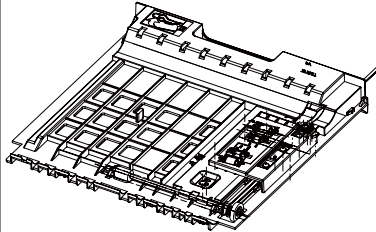
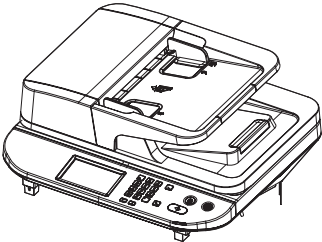
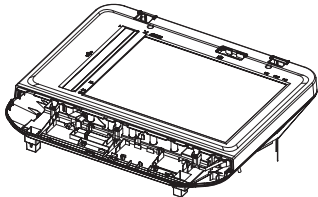
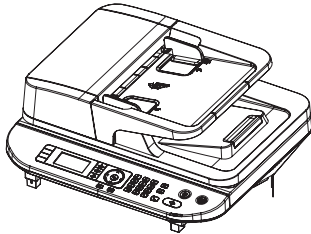
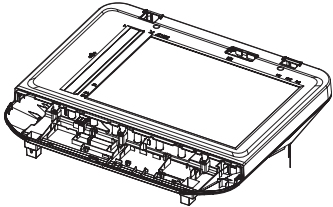
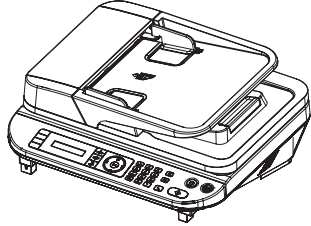
**This Parts Catalog is a property of Samsung Electronics Co.,Ltd.
Any unauthorized use of this manual can be punished under
applicable International and/or domestic law.**

ExplodedView and Parts List

Contents

Thumbnail	5	6. MFA (SCX-483xFR/ 563xFR/ 5637HR)	33
0. Main	6	6-1. PLATEN (SCX-483xFR/ 563xFR/ 5637HR)	35
1. COVER	8	7. MFA (SCX-483xFD/HD).....	37
1-1. COVER-MIDDLE	10	7-1. PLATEN (SCX-483xFD/HD)	39
2. FUSER	12	8. PLATEN-A4 MIDDLE	41
3. FRAME-REAR.....	14	9. DADF (SCX-573xFW/ 563x series/ 483xFR).....	43
4. FRAME	16	9-1. DADF LOWER	45
4-1. MP	21	9-2. DADF UPPER	47
4-2. DRIVE	23	9-3. DADF PLATEN	49
4-3. DRIVE FEED	25	10. ADF (SCX-483xFD/HD)	51
4-4. DUPLEX	27	11. CASSETTE	54
5. MFA (SCX-573xFW)	29	12. OPTION CASSETTE	56
5-1. PLATEN (SCX-573xFW)	31		

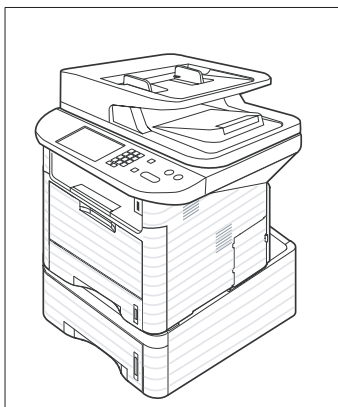
Thumbnail

				
<p>0. Main</p>	<p>1. COVER</p>	<p>1-1. COVER-MIDDLE</p>	<p>2. FUSER</p>	<p>2-1. FRAME-REAR</p>
				
<p>4. FRAME</p>	<p>4-1. MP</p>	<p>4-2. DRIVE</p>	<p>4-3. DRIVE FEED</p>	<p>4-4. DUPLEX</p>
				
<p>5. MFA (SCX-573xFW)</p>	<p>5-1. PLATEN (SCX-573xFW)</p>	<p>6. MFA (SCX-483xFR/563xFR/HR)</p>	<p>6-1. PLATEN (SCX-483xFR/563xFR/HR)</p>	<p>7. MFA (SCX-483xFD/HD)</p>

Thumbnail

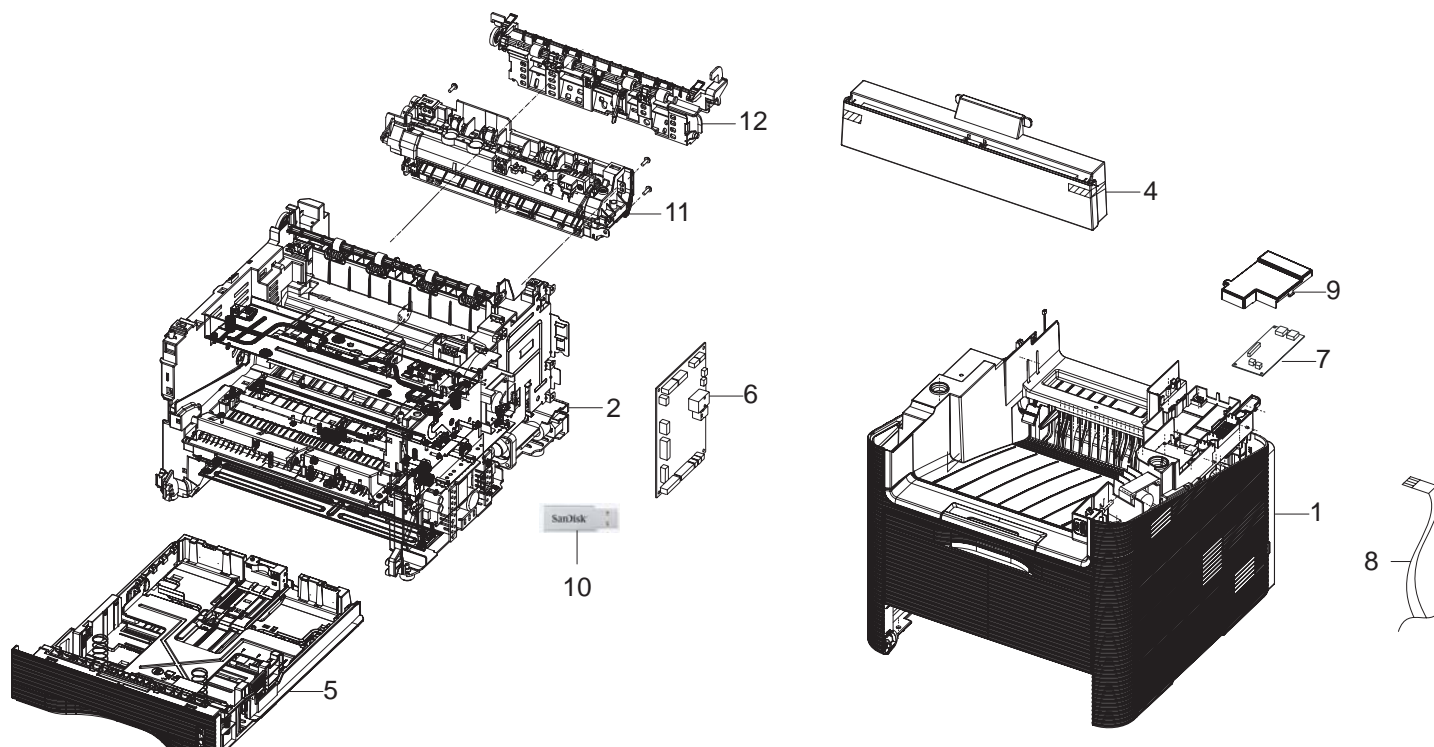
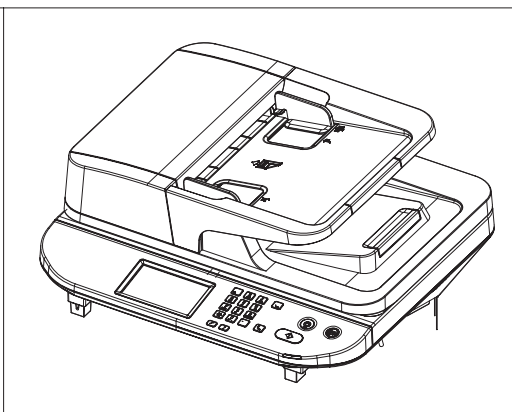
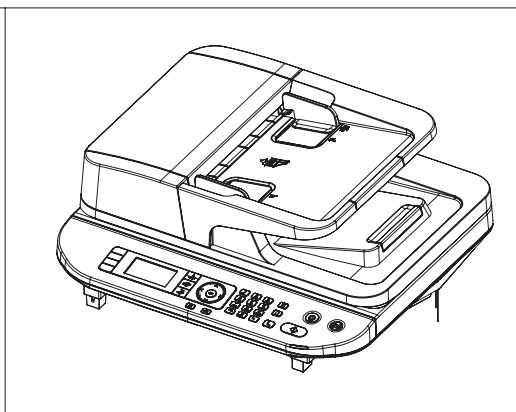
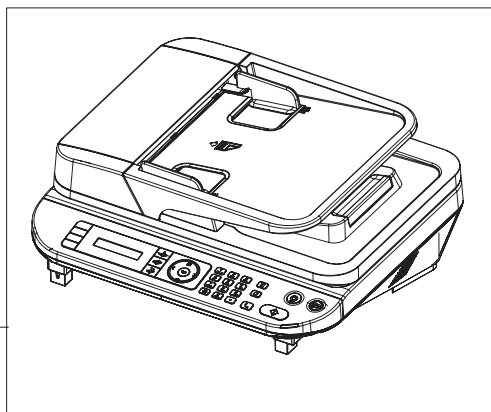
<p>7-1. PLATEN (SCX483x/FD/HD)</p>	<p>8. PLATEN-A4 MIDDLE</p>	<p>9. DADF</p>	<p>9-1. DADF LOWER</p>	<p>9-2. DADF UPPER</p>
<p>9-3. DADF PLATEN</p>	<p>10. ADF</p>	<p>11. CASSETTE</p>	<p>12. OPTION CASSETTE</p>	

0. Main



0

3



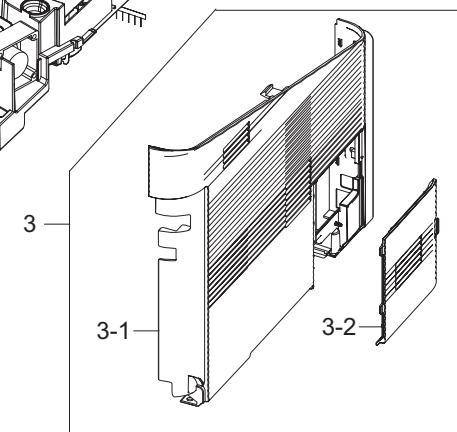
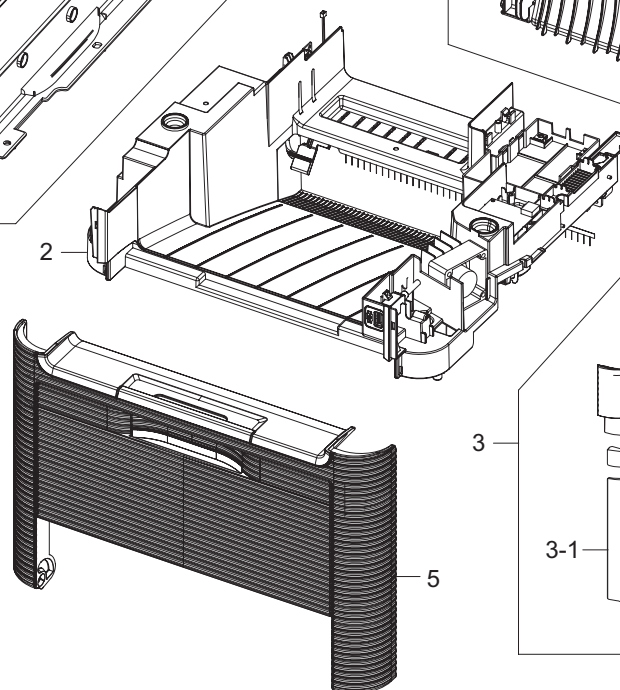
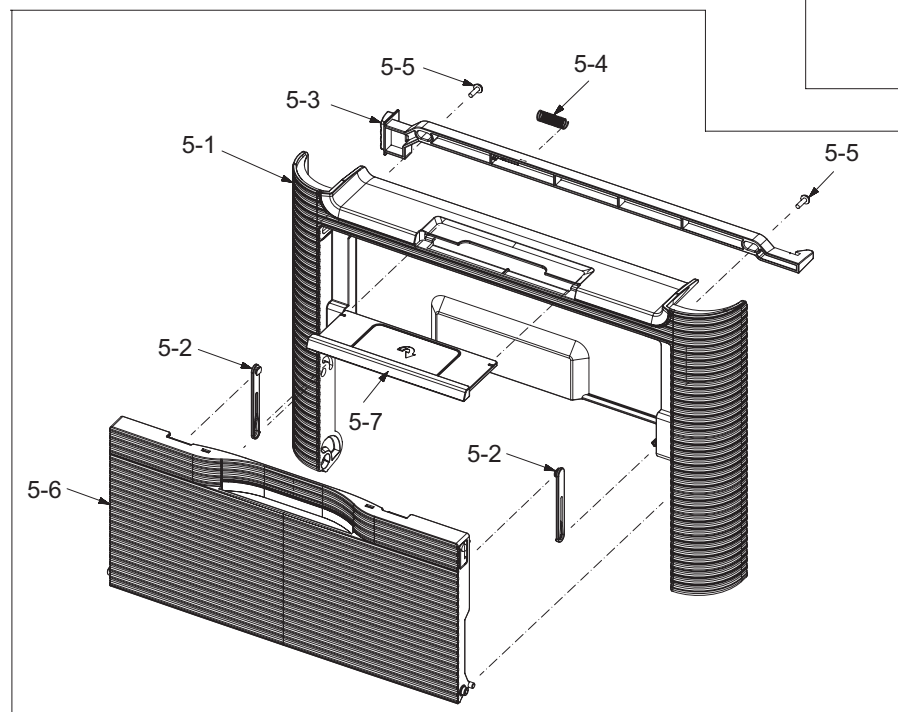
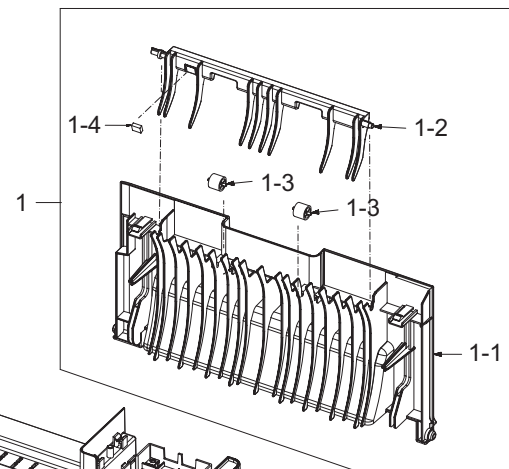
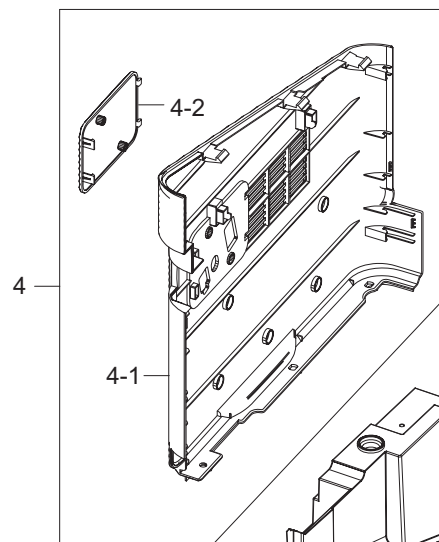
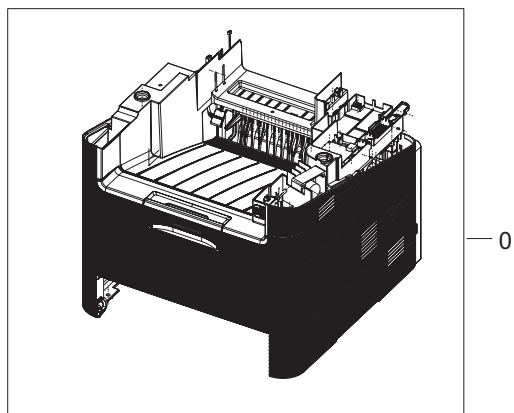
Main Parts List

Drawer#	Part Code	Description	Qty	Service	Remark
0	SCX-4833FD SCX-4835FD	31 ppm (A4), 4 in 1,ADF			
0	SCX-4833HD	31 ppm (A4), 4 in 1, ADF, Handset			CHINA
0	SCX-4833FR SCX-4835FR	31 ppm (A4), 4 in 1, DADF			
0	SCX-5637FR SCX-5639FR	35 ppm (A4), 4 in 1, DADF			
0	SCX-5637HR	35 ppm (A4), 4 in 1, DADF, Handset			CHINA
0	SCX-5737FW SCX-5739FW	35 ppm (A4), 4 in 1, Wireless NW			
1	JC95-01323A-E	COVER	1	SA	Refer to 1.COVER
2	JC93-00346A/B	FRAME MAIN	1	SA	Refer to 4.FRAME
2	JC93-00342A/B	FRAME MAIN	1	SA	Refer to 4.FRAME
2	JC93-00343A/B	FRAME MAIN	1	SA	Refer to 4.FRAME
3	JC97-03904A	MFA	1	SNA	SCX-573xFW Refer to 5. MFA
3	JC97-03900A	MFA	1	SNA	SCX-563xFR Refer to 6. MFA
3	JC97-03900H	MFA	1	SNA	SCX-563xHR Refer to 6. MFA
3	JC97-03906A	MFA	1	SNA	SCX-483xFR Refer to 6. MFA
3	JC97-03902A	MFA	1	SNA	SCX-483xFD/HD Refer to 7. MFA

SA : SERVICE AVAILABLE, SNA : SERVICE not AVAILABLE

Drawer#	Part Code	Description	Qty	Service	Remark
4	JC95-01300A	COVER-REAR DUPLEX	1	SNA	Excepting XAA
5	JC90-01036A	CASSETTE	1	SA	Refer to 10 .CASSETTE
6	JC92-02350B	PBA-MAIN	1	SA	SCX-573xFW
6	JC92-02350A	PBA-MAIN	1	SA	SCX-563xFR
6	-	PBA-MAIN	1	SA	SCX-563xHR
6	JC92-02350C	PBA-MAIN	1	SA	SCX-483xFR
6	JC92-02351A	PBA-MAIN	1	SA	SCX-483xFD
6	-	PBA-MAIN	1	SA	SCX-483xHD
7	JC92-01746A	PBA SUB-MODEM	1	SA	
7	JC92-01746C	PBA SUB-MODEM	1	SA	SCX-483xHD SCX-563xHR
8	JC39-01500A	FLAT CABLE	1	SA	
9	JC63-01926A	COVER-H_FAX_BOARD	1	SA	
10	5903-002912	MEMORY CARD	1	SNA	
11	JC91-01023A	FUSER	1	SA	110V
11	JC91-01024A	FUSER	1	SA	220V
13	JC93-00334A	FRAME-REAR	1	SNA	

1. COVER



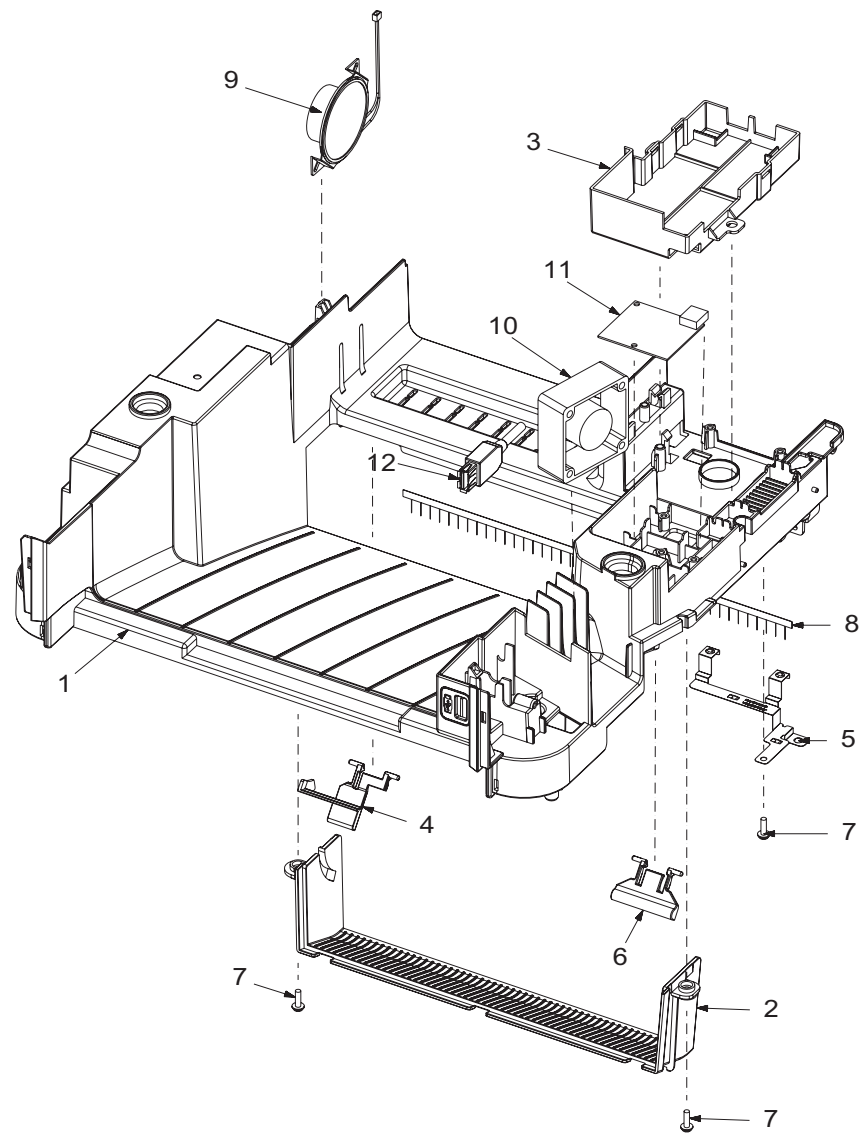
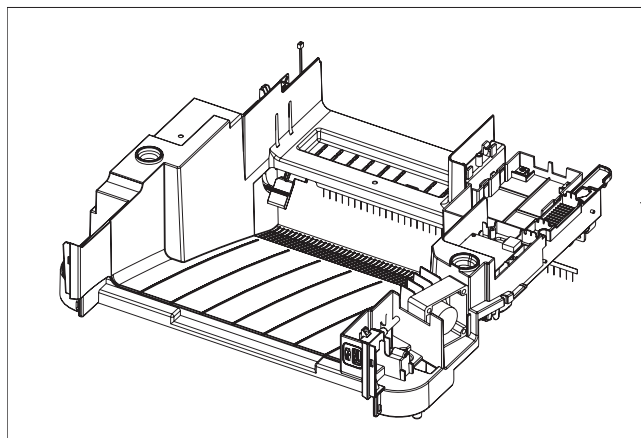
COVER Parts List

SA : SERVICE AVAILABLE, SNA : SERVICE not AVAILABLE

Drawer#	Part Code	Description	Qty	Service	Remark
0	JC95-01323A	COVER	1	SNA	SCX-4833FR SCX-4833FD
0	JC95-01323E	COVER	1	SNA	SCX-4833HD
0	JC95-01323B	COVER	1	SNA	SCX-5637FR
0	JC95-01323D	COVER	1	SNA	SCX-5637HR
0	JC95-01323C	COVER	1	SNA	SCX-5737FW
1	JC95-01303A	COVER-REAR	1	SNA	
1-1	JC63-02888A	COVER-REAR	1	SA	
1-2	JC61-04099A	GUIDE-CHANGE_DUP	1	SA	
1-3	JC66-02830A	ROLLER-IDLE	2	SA	
1-4	JC72-01444A	SPONGE-GUIDE CHANGE DUP	1	SNA	
2	JC95-01324A	COVER-MIDDLE	1	SNA	SCX-483xFR SCX-483xFD SCX-563xFR
2	JC95-01324B	COVER-MIDDLE	1	SNA	SCX-573xFW
2	JC95-01324C	COVER-MIDDLE	1	SNA	SCX-4833HR SCX-5637HR
3	JC95-01325A	COVER-RIGHT	1	SNA	SCX-4833 series
3	JC95-01325B	COVER-RIGHT	1	SNA	SCX-5x37 series
3-1	JC63-02935A	COVER-RIGHT	1	SNA	SCX-4833 series

Drawer#	Part Code	Description	Qty	Service	Remark
3-1	JC63-02935B	COVER-RIGHT	1	SNA	SCX-5x37 series
3-2	JC63-02936A	COVER-DIMM	1	SNA	
4	JC95-01326A	COVER-LEFT	1	SNA	
4	JC95-01326B	COVER-LEFT	1	SNA	SCX-4833HD SCX-5637HR
4-1	JC63-02943A	COVER-LEFT	1	SNA	
4-2	JC63-02944A	COVER-DUMMY LEFT	1	SNA	Handset model N/A
4-3	JC63-02962A	COVER-DUMMY HANDSET	1	SNA	Handset model only
5	JC95-01327A	COVER-FRONT	1	SNA	
5-1	JC63-02945A	COVER-FRONT	1	SNA	
5-2	JC66-02086A	LINK-COVER_MP	2	SNA	
5-3	JC64-00602A	LOCKER-FRONT	1	SA	
5-4	6107-001195	SPRING-CS	1	SNA	
5-5	6003-000264	SCREW-TAPTYPE	2	SNA	
5-6	JC90-01037A	MP GUIDE-TRAY	1	SNA	
5-7	JC90-01062A	EXIT GUIDE	1	SNA	

1-1. COVER-MIDDLE



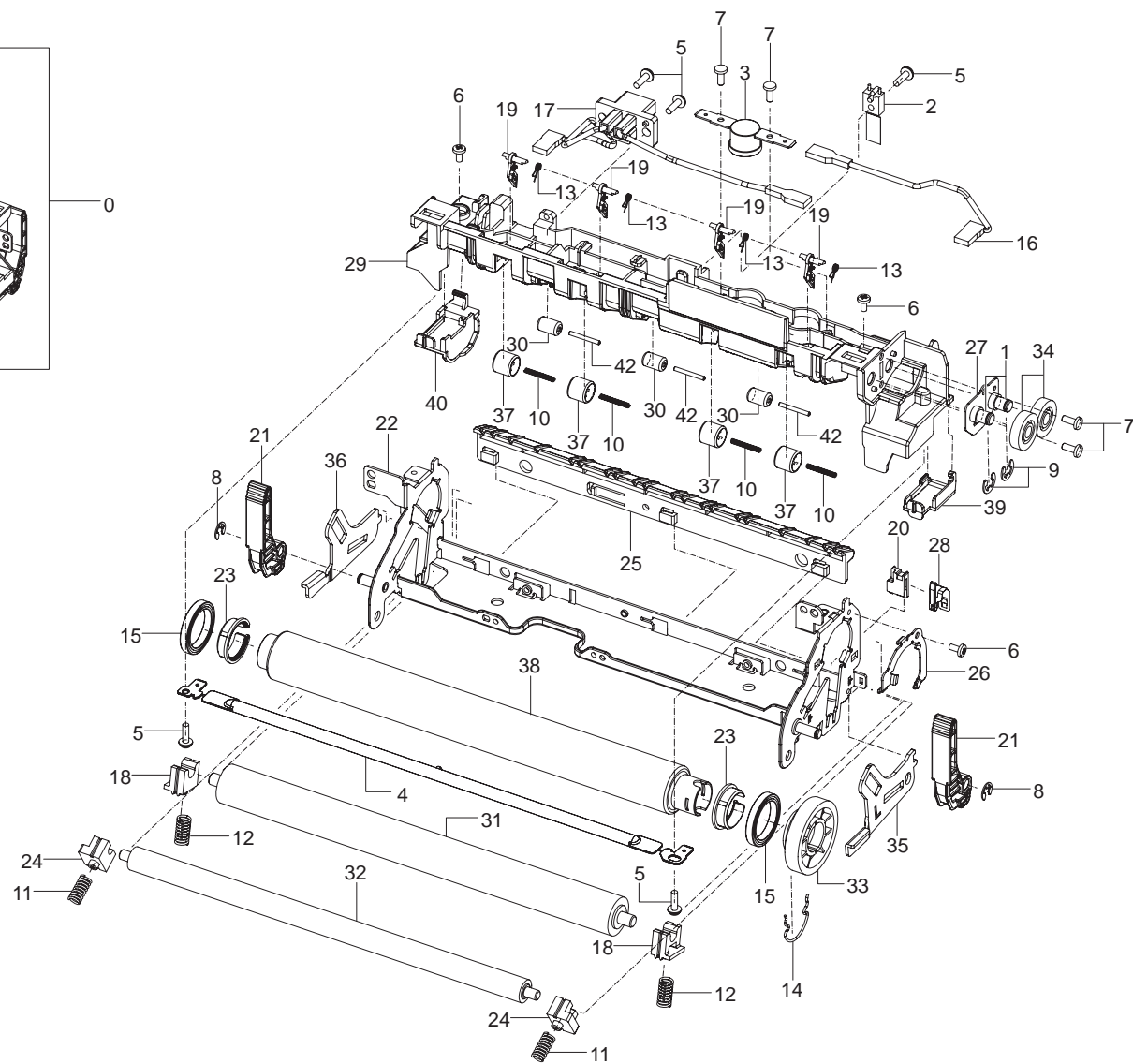
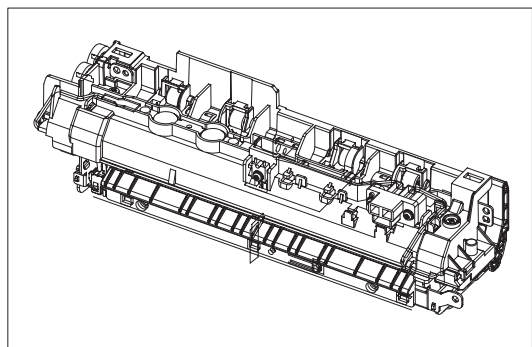
COVER-Middle Parts List

SA : SERVICE AVAILABLE, SNA : SERVICE not AVAILABLE

Drawer#	Part Code	Description	Qty	Service	Remark
0	JC95-01324A	COVER-MIDDLE	1	SNA	SCX-483xFR SCX-483xFD SCX-563xFR
0	JC95-01324B	COVER-MIDDLE	1	SNA	SCX-573xFW
0	JC95-01324C	COVER-MIDDLE	1	SNA	SCX-4833HR SCX-5637HR
1	JC63-02937A	COVER-MIDDLE	1	SNA	
2	JC63-02890A	COVER-EXIT	1	SA	
3	JC63-01927A	COVER-L_FAX_BOARD	1	SA	
4	JC61-04098A	STACKER-BIN_FULL	1	SA	
5	JC63-02939A	GROUND-FAX	1	SNA	
6	JC72-01343A	PMO-SUB_M_STACKER	1	SA	
7	6003-000196	SCREW-TAPTYPE	3	SNA	
7	6003-000196	SCREW-TAPTYPE	4	SNA	SCX-573xFW

Drawer#	Part Code	Description	Qty	Service	Remark
8	JC67-00055A	BRUSH-ANTISTATIC 531P	1	SA	
9	3001-002262	SPEAKER	1	SA	
10	JC31-00146A	FAN	1	SA	
11	JC92-02364A	PBA-WNPC	1	SA	SCX-573xFW only
12	JC39-01492A	HARNESS-USB HOST	1	SNA	
13	JC39-01496A	HARNESS-SPK EXTENSION	1	SNA	
14	JC39-01502A	HARNESS-MIDDLE FAN	1	SNA	
15	JC39-01457A	HARNESS-SPK EXTENSION H	1	SNA	SCX-4833HR SCX-5637HR
16	JC39-01485A	HARNESS-WLAN	1	SA	SCX-573xFW only
17	JC63-03090A	GROUND-EXIT	1	SNA	

2. FUSER



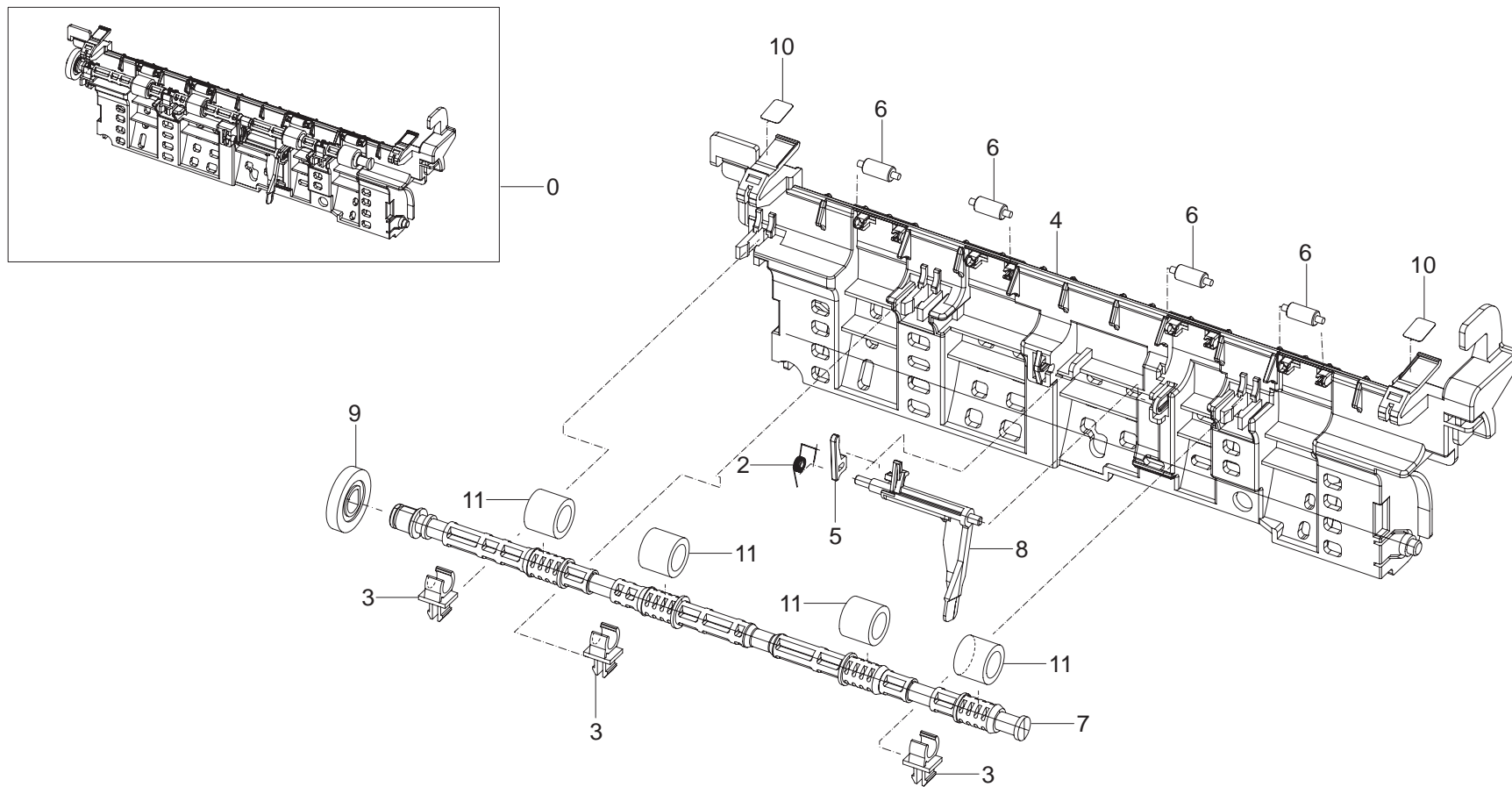
FUSER Parts List

SA : SERVICE AVAILABLE, SNA : SERVICE not AVAILABLE

Drawer#	Part Code	Description	Qty	Service	Remark
0	JC91-01023A	FUSER	1	SA	110V
0	JC91-01024A	FUSER	1	SA	220V
1	0205-001080	GREASE-BEARING	0.018	SNA	
2	1404-001640	THERMISTOR-NTC ASSY	1	SNA	
3	4712-001091	THERMOSTAT	1	SA	
4	4713-001565	LAMP-HALOGEN	1	SNA	220V
4	4713-001566	LAMP-HALOGEN	1	SNA	110V
5	6003-000196	SCREW-TAPTYPE	5	SNA	
6	6003-000269	SCREW-TAPTYPE	3	SNA	
7	6003-000282	SCREW-TAPTYPE	4	SA	
8	6044-000125	RING-E	2	SA	
9	6044-000231	RING-E	2	SA	
10	6107-001188	SPRING-ETC	4	SA	
11	6107-001246	SPRING-CS	2	SA	
12	6107-001267	SPRING-CS	2	SA	
13	6107-002817	SPRING-ETC	4	SNA	
14	6107-002818	SPRING-ETC	1	SNA	
15	6601-001725	BEARING-BALL	2	SNA	
16	JC39-01487A	HARNESS-FUSER JOINT	1	SA	
17	JC39-01488A	HARNESS-FUSER CON	1	SA	
18	JC61-01960A	BUSH-PR_1ST	2	SNA	
19	JC61-02154A	GUIDE-CLAW	4	SNA	
20	JC61-02631A	GUIDE-GROUND_PR	1	SNA	

Drawer#	Part Code	Description	Qty	Service	Remark
21	JC61-04085A	HOLDER-JAM	2	SNA	
22	JC61-04092A	FRAME-FUSER	1	SNA	
23	JC61-04093A	BUSH-HR	2	SNA	
24	JC61-04095A	BUSH-PR_2ND	2	SNA	
25	JC61-04096A	GUIDE-INPUT	1	SNA	
26	JC61-04114A	BRACKET-BEARING	1	SNA	
27	JC61-04122A	BRACKET-GEAR	1	SNA	
28	JC63-02885A	GROUND-PR_M	1	SNA	
29	JC63-02899A	COVER-FUSER	1	SNA	
30	JC66-01312A	ROLLER-IDLE	3	SA	
31	JC66-01663A	ROLLER-PRESSURE	1	SA	
32	JC66-01664A	ROLLER-PRESSURE_2ND	1	SA	
33	JC66-02775A	GEAR-FUSER	1	SNA	
34	JC66-02776A	GEAR-IDLE_EXIT	2	SNA	
35	JC66-02795A	LEVER-LINK_JAM_L	1	SNA	
36	JC66-02796A	LEVER-LINK_JAM_R	1	SNA	
37	JC66-02844A	ROLLER-IDLE_EXIT	4	SNA	
38	JC66-02846A	ROLLER-HEAT	1	SNA	
39	JC67-00498A	CAP-LAMP_L	1	SNA	
40	JC67-00499A	CAP-LAMP_R	1	SNA	
41	JC68-01581C	LABEL-CAUTION	1	SNA	
42	JC70-20901A	IEX-SHAFT IDLE,F/UP	3	SA	

3. FRAME-REAR



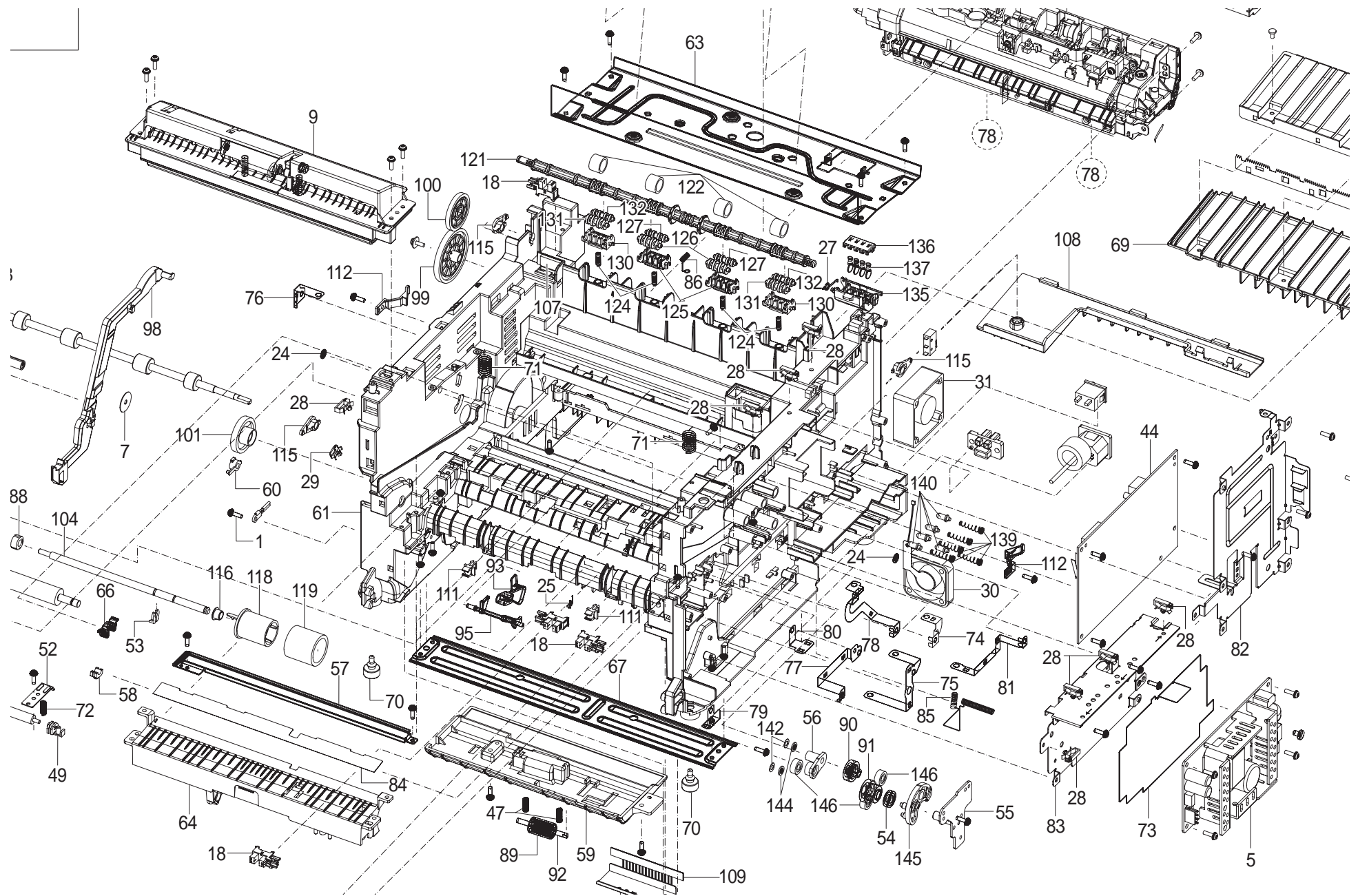
FRAME-REAR Parts List

SA : SERVICE AVAILABLE, SNA : SERVICE not AVAILABLE

Drawer#	Part Code	Description	Qty	Service	Remark
0	JC93-00334A	FRAME-REAR	1	SA	
2	6107-002670	SPRING-ETC	1	SNA	
3	JC61-02158A	BUSH-TX	3	SNA	
4	JC61-04084A	GUIDE-REAR	1	SNA	
5	JC61-04133A	HOLDER-ACTUATOR	1	SNA	
6	JC66-01661A	ROLLER-IDLE_EXIT	4	SNA	

Drawer#	Part Code	Description	Qty	Service	Remark
7	JC66-02773A	SHAFT-EXIT_F/UP	1	SNA	
8	JC66-02774A	ACTUATOR-EXIT	1	SNA	
9	JC66-02777A	GEAR-EXIT_Z19	1	SNA	
10	JC68-02610A	LABEL-ONE TOUCH	2	SNA	
11	JC73-00304A	RUBBER-EXIT_F/UP	4	SA	

FRAME(enlarge)



FRAME Parts List

SA : SERVICE AVAILABLE, SNA : SERVICE not AVAILABLE

Drawer#	Part Code	Description	Qty	Service	Remark
0	JC93-00346A/B	FRAME MAIN	1	SNA	SCX-483xFD
0	JC93-00342A/B	FRAME MAIN	1	SNA	SCX-483xFR
0	JC93-00343A/B	FRAME MAIN	1	SNA	SCX-5x3x series
1	6003-000196	SCREW-TAPTYPE	20	SNA	
2	6003-000261	SCREW-TAPTYPE	2	SNA	
3	6003-000269	SCREW-TAPTYPE	3	SNA	
4	JC39-01470A	HARNESS-MP SENSOR & CLUTCH	1	SA	
5	JC44-00095D	SMPS-V1	1	SA	SCX-483x series / 110V
5	JC44-00096D	SMPS-V2	1	SA	SCX-483x series / 220V
5	JC44-00090E	SMPS-V2	1	SA	SCX-5x3x series / 220V
5	JC44-00097E	SMPS-V1	1	SA	SCX-5x3x series / 110V
6	JC47-00033A	CLUTCH-ELECTRIC	1	SNA	
7	JC60-00037A	SPACER-CLUTCH	1	SNA	
8	JC66-02772A	SHAFT-FEED REGI	1	SA	
9	JC90-01043A	MP	1	SA	
11	JC93-00326A	DRIVE	1	SA	
12	JC93-00329A	DRIVE-FEED	1	SA	
14	JC93-00347A	FRAME-ETC	1	SA	SCX-483xFD/HD
14	JC93-00344A	FRAME-ETC	1	SA	SCX-483xFR
14	JC93-00345A	FRAME-ETC	1	SA	SCX-5x3x series
15	0205-001067	GREASE-GRAPHITE	0.045	SNA	
16	0205-001080	GREASE-BEARING	0.22	SNA	
17	0205-001281	GREASE-BEARING	0.035	SNA	
18	0604-001393	PHOTO-INTERRUPTER	5	SA	
19	1404-001417	THERMISTOR-NTC ASSY	1	SA	

Drawer#	Part Code	Description	Qty	Service	Remark
20	6003-000196	SCREW-TAPTYPE	38	SNA	
21	6003-000261	SCREW-TAPTYPE	3	SNA	
22	6003-000301	SCREW-TAPTYPE	1	SA	
23	6006-001078	SCREW-TAPTYPE	1	SA	
24	6044-000001	RING-CS	2	SNA	
25	6107-001164	SPRING-TS	2	SA	
26	6107-001370	SPRING-CS	1	SA	
27	6107-002781	SPRING-TS	1	SA	
28	6502-001130	CABLE CLAMP	8	SA	
29	6502-001131	CABLE CLAMP	2	SA	
30	JC31-00108A	FAN	1	SA	
31	JC31-00146A	FAN	1	SA	
32	JC39-01511A	HARNESS-SENSOR	1	SA	
33	JC39-01466A	HARNESS-MOTOR CLUTCH	1	SA	
34	JC39-01467A	HARNESS-AIR TEMP	1	SA	
35	JC39-01468A	HARNESS-EXIT	1	SA	
36	JC39-01469A	HARNESS-REARCOVER&BINFULL SENSOR	1	SA	
37	JC39-01512A	HARNESS-HVPS	1	SA	
38	JC39-01472A	HARNESS-SMPS(SIGNAL)	1	SA	
39	JC39-01478A	FLAT CABLE	1	SA	
40	JC39-01479A	HARNESS-FUSER THERM	1	SA	
41	JC39-01481A	HARNESS-SMPS POWER	1	SA	Only SCX-483xFD/HD
41	JC39-01495A	HARNESS-SMPS_2	1	SA	Only SCX-483xFR
41	JC39-01494A	HARNESS-SMPS_1	1	SA	Only SCX-5x3x series
42	JC39-01482A	HARNESS-AC INLET	1	SA	
43	JC39-01486A	HARNESS-FUSER BIAS	1	SA	
44	JC44-00197A	HVPS	1	SA	
45	JC47-00033A	CLUTCH-ELECTRIC	1	SNA	

FRAME Parts List

SA : SERVICE AVAILABLE, SNA : SERVICE not AVAILABLE

Drawer#	Part Code	Description	Qty	Service	Remark
46	JC47-00034A	CLUTCH-ELECTRIC	1	SA	
47	JC61-00049A	SPRING ETC-TR(KOR)	2	SNA	
48	JC61-00424A	BUSH-4	1	SA	
49	JC61-00585A	BUSH-M-FEED IDLE	2	SNA	
50	JC61-00588A	BUSH-M-TR L	1	SNA	
51	JC61-00604A	PLATE-P-SAW	1	SNA	
52	JC61-00914A	PLATE-P-PUSH BUSHING	2	SA	
53	JC61-01367A	FIXER-M_E RING 4PI	2	SA	
54	JC61-02220A	COLLAR-SWING	1	SA	
55	JC61-02225A	BRACKET-SWING	1	SNA	
56	JC61-02233A	HOLDER-REGI	1	SA	
57	JC61-02236A	PLATE-EARTH-TRANSFER	1	SNA	
58	JC61-02468A	BUSH-TR_L	1	SA	
59	JC61-02752A	FRAME-DUPLEX PATH_EX	1	SA	
60	JC61-03782A	BUSH-SHAFT_EXIT	1	SNA	
61	JC61-04056A	FRAME-BASE	1	SA	
62	JC61-04062A	BRACKET-PAPER GROUND	1	SA	
63	JC61-04063A	BRACKET-LSU	1	SA	
64	JC61-04064A	GUIDE-FRAME DUPLEX	1	SA	
65	JC61-04067A	HOLDER-EXIT SENSOR	1	SA	
66	JC61-04068A	HOLDER-TR	1	SA	
67	JC61-04069A	PLATE-FRAME BOTTOM	1	SA	
68	JC61-04090A	GUIDE-TR	1	SA	
69	JC61-04091A	GUIDE-TR RIB	1	SA	
70	JC61-40001A	FOOT-ML80	2	SA	
71	JC61-70932A	SPRING ETC-GUIDE DEVE	2	SA	
72	JC61-70958A	SPRING ETC-TR	2	SA	
73	JC62-00827A	INSULATION-SMPS	1	SNA	SCX-4833 series
73	JC62-00848A	INSULATION-SMPS	1	SNA	SCX-5x37 series

Drawer#	Part Code	Description	Qty	Service	Remark
74	JC63-01614A	GROUND-GUIDE_TR	1	SNA	
75	JC63-02874A	GROUND-BRKT PAPER	1	SA	
76	JC63-02875A	GROUND-BRKT GEAR	1	SA	
77	JC63-02876A	GROUND-HVPS	1	SA	
78	JC63-02877A	GROUND-BRACKET LSU	1	SA	
79	JC63-02878A	GROUND-PLATE BOTTOM_L	1	SA	SCX-4833 series
80	JC63-02880A	GROUND-SCF	1	SA	
81	JC63-02881A	GROUND-VARISTOR	1	SA	
82	JC63-02882A	SHIELD-CONTROLLER	1	SA	
83	JC63-02884A	SHIELD-SMPS_L	1	SA	SCX-4833 series
83	JC63-02883A	SHIELD-SMPS_H	1	SA	SCX-5x37 series
84	JC63-02956A	SHEET-DUPLEX PATH	1	SNA	
85	JC65-00047A	TERMINAL-TR	1	SA	
86	JC65-00050A	TERMINAL-PR_FUSER	1	SA	
87	JC66-00527A	SHAFT-FEED IDLE	1	SA	
88	JC66-00977A	CLUTCH-P_ONE WAY	1	SA	
89	JC66-01022A	ROLLER-M_IDLE SCF	1	SA	
90	JC66-01639A	GEAR-DUPLEX DR 28	1	SA	
91	JC66-01651A	GEAR-RDCN 23/23	1	SA	
92	JC66-01846A	SHAFT-DUP_ROLLER	1	SA	
93	JC66-02762A	ACTUATOR-EMPTY	1	SA	
94	JC66-02763A	ACTUATOR-REGI	1	SA	
95	JC66-02764A	ACTUATOR-FEED	1	SA	
96	JC66-02768A	LEVER-OPC HOLDER_L	1	SA	
97	JC66-02769A	LEVER-OPC HOLDER_R	1	SA	
98	JC66-02770A	LEVER-COUPLING	1	SA	
99	JC66-02778A	GEAR-EXIT IDLE 96	1	SA	
100	JC66-02780A	GEAR-EXIT 65	1	SA	

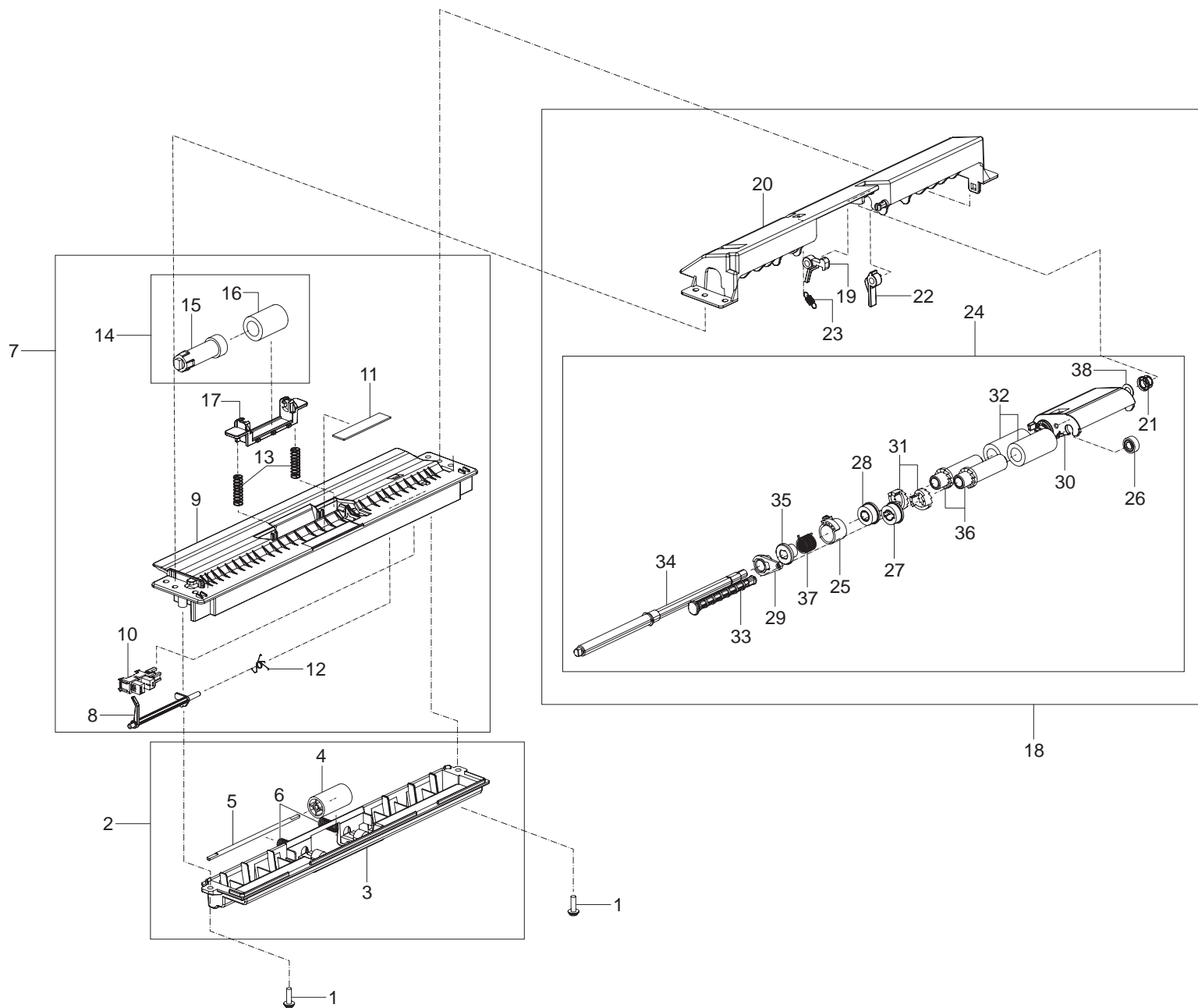
FRAME Parts List

SA : SERVICE AVAILABLE, SNA : SERVICE not AVAILABLE

Drawer#	Part Code	Description	Qty	Service	Remark
101	JC66-02791A	GEAR-FEED IDLE 29	1	SA	
102	JC66-02794A	GEAR-FEED 20	1	SA	
103	JC66-02797A	ROLLER-FEED	1	SA	
104	JC66-02832A	SHAFT-PICK UP	1	SNA	
105	JC66-02834A	ROLLER-FEED REGI	1	SA	
106	JC66-02842A	ROLLER-TRANSFER	1	SNA	
107	JC66-02932A	DAMPER-BINFULL SENSOR	1	SNA	
108	JC67-00291A	CAP-HARNESS	1	SNA	
109	JC67-00468A	BRUSH-PICK	1	SNA	
110	JC68-00317A	LABEL(R)-HOT CAUTION,KME	1	SNA	
111	JC72-00382B	PMO-BUSHING FEED	2	SA	
112	JC72-00983A	PMO-LOCKER CST	2	SA	
113	JC72-00984A	PMO-PLATE GUIDE DEVE_L	1	SA	
114	JC72-00985A	PMO-PLATE GUIDE DEVE_R	1	SA	
115	JC72-41191B	PMO-BEARING SHAFT	4	SA	
116	JC72-41364A	PMO-BUSHING_P/U,MP	1	SA	
117	JC93-00310A	FRAME BASE-PICK UP	1	SA	
118	JC61-04100A	HOUSING-PICK_UP	1	SA	
119	JC73-00340A	RUBBER-PICK UP	1	SA	
120	JC93-00323A	FRAME-ROLLER EXIT	1	SA	
121	JC66-02771A	SHAFT-EXIT F_DOWN	1	SA	
122	JC73-00263A	RUBBER-EXIT F DOWN	4	SA	
123	JC93-00324A	FRAME-ROLLER DECURL	2	SNA	
124	6107-001163	SPRING-CS	1	SA	
125	JC61-02702B	HOLDER-EXIT ROLLER	1	SNA	

Drawer#	Part Code	Description	Qty	Service	Remark
126	JC66-00824A	ROLLER-M-EXIT MAIN	1	SA	
127	JC66-00830A	ROLLER-M-EXIT FR	1	SA	
128	JC93-00324B	FRAME-ROLLER DECURL	2	SNA	
129	6107-001163	SPRING-CS	1	SA	
130	JC61-01172A	HOLDER-M-EXIT F/DOWN	1	SNA	
131	JC66-00824A	ROLLER-M-EXIT MAIN	1	SA	
132	JC66-00830A	ROLLER-M-EXIT FR	1	SA	
133	JC93-00325A	FRAME-UPPER CRUM	1	SA	
134	JC39-01480A	HARNESS-CRUM	1	SA	
135	JC61-04065A	HOLDER-CRUM_LOWER	1	SA	
136	JC61-04066A	HOLDER-CRUM_UPPER	1	SA	
137	JC65-00048A	TERMINAL-CRUM	4	SA	
138	JC96-01672A	ELA UNIT-TERMINAL TR L	5	SA	
139	JC61-00031A	SPRING ETC--HV LARGE	1	SNA	
140	JC70-40912A	ICT-SHAFT HV LARGE	1	SA	
141	JC96-04732A	ELA UNIT-SWING	1	SA	
142	0205-001281	GREASE-BEARING	0.034	SNA	
143	6031-001051	WASHER-PLAIN	3	SNA	
144	6044-000001	RING-CS	3	SNA	
145	JC61-02265A	BRACKET-SWING DUPLEX	1	SNA	
146	JC66-01635A	GEAR-SWING DR 19	3	SA	
147	JC97-03857A	LSU	1	SA	
148	JC90-01031A	DUPLEX	1	SA	
149	JC63-03089A	SHIELD-USB_M	1	SNA	Only SCX-5x37 series

4-1. MP



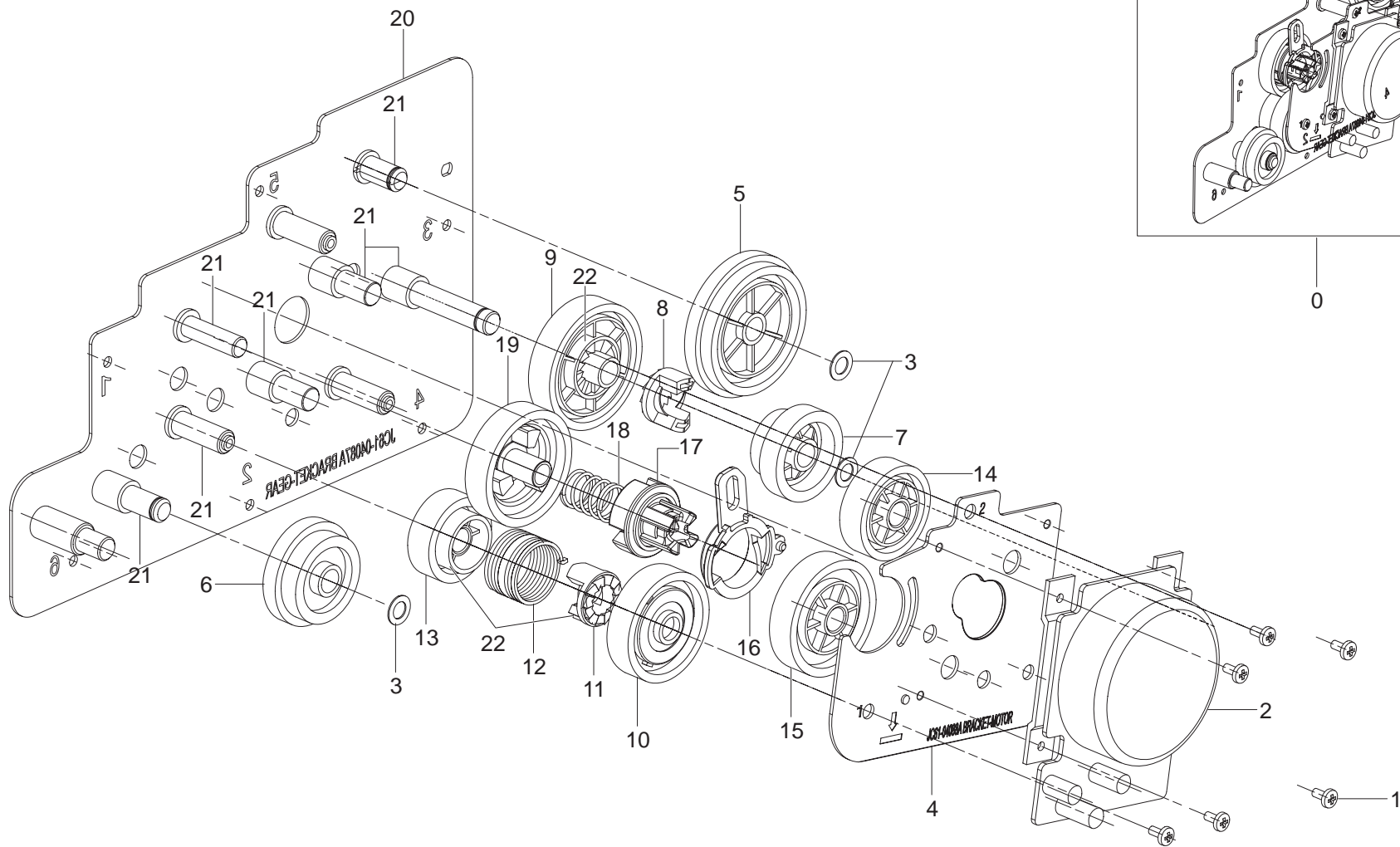
MP Parts List

SA : SERVICE AVAILABLE, SNA : SERVICE not AVAILABLE

Drawer#	Part Code	Description	Qty	Service	Remark
0	JC90-01043A	MP	1	SA	
1	6003-000196	SCREW-TAPTYPE	2	SNA	
2	JC90-01038A	MP-HOLDER IDLE	1	SNA	
3	JC63-02873A	COVER-ROLLER	1	SA	
4	JC66-02798A	ROLLER-IDLE	1	SA	
5	6043-001409	PIN-ETC	1	SNA	
6	6107-002824	SPRING-CS	2	SA	
7	JC90-01039A	MP-LOWER	1	SNA	
8	JC66-02766A	ACTUATOR-EMPTY_MP	1	SA	
9	JC61-04061A	GUIDE-LOWER_MP	1	SA	
10	0604-001393	PHOTO-INTERRUPTER	1	SA	
11	JC73-00141A	RPR-PAD CASSETTE	1	SA	
13	6107-002776	SPRING-CS	2	SA	
14	JC90-01032A	CASSETTE-ROLLER RETARD	1	SNA	
15	JC67-00465A	COUPLER-TORQUE_LIMITER	1	SA	
16	JC73-00328A	RUBBER-TL	1	SA	
17	JC61-04101A	HOLDER-RETARD_SHAFT	1	SA	
18	JC90-01040A	MP-UPPER	1	SNA	
19	JC66-02767A	ACTUATOR-ARM_MP	1	SA	

Drawer#	Part Code	Description	Qty	Service	Remark
20	JC61-04058A	GUIDE-UPPER_MP	1	SA	
21	JB72-00819A	PMO-BUSH	1	SA	
22	JC61-04057A	STOPPER-MP	1	SA	
23	6107-002780	SPRING-ES	1	SA	
24	JC90-01041A	MP-PICK UP	1	SNA	
25	JC61-02806A	COLLAR-MP	1	SNA	
26	JC66-01918A	GEAR-IDLE PICK UP	1	SA	
27	JC66-02075A	GEAR-JOINT	1	SA	
28	JC66-02085A	GEAR-JOINT2_MP	1	SNA	
29	JC61-02260A	HOLDER-SHAFT	1	SNA	
30	JC61-04059A	HOUSING-PICKUP_MP	1	SA	
31	JB72-00845A	PMO-SERIES CAP	2	SA	
32	JC73-00295B	RUBBER-PICK_UP	2	SA	
33	JC66-02073A	SHAFT-PICK UP SUB	1	SNA	
34	JC66-02765A	SHAFT-PICKUP_MP	1	SA	
35	JC61-02807A	SLEEVE-CLUTCH MP	1	SNA	
36	JC61-02808A	SLEEVE-MP	2	SNA	
37	6107-001537	SPRING-TS	1	SA	
38	6031-001255	WASHER-PLAIN	1	SA	

4-2. DRIVE



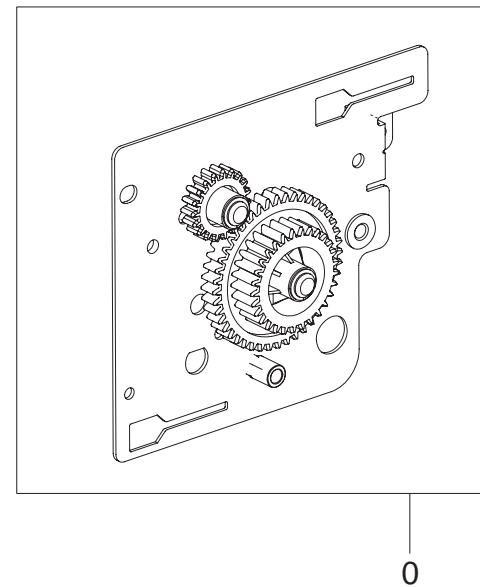
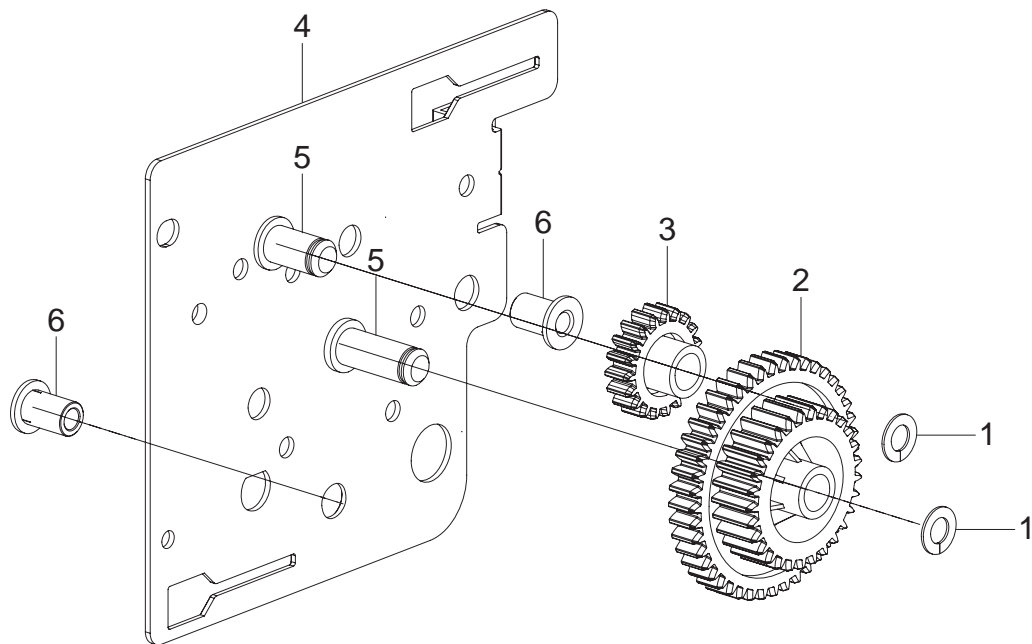
DRIVE Parts List

SA : SERVICE AVAILABLE, SNA : SERVICE not AVAILABLE

Drawer#	Part Code	Description	Qty	Service	Remark
0	JC93-00326A	DRIVE	1	SA	
1	6003-000269	SCREW-TAPTYPE	6	SNA	
2	JC31-00144A	MOTOR BLDC	1	SNA	
3	6031-000023	WASHER-PLAIN	3	SNA	
4	JC61-04088A	BRACKET-MOTOR	1	SA	
5	JC66-02779A	GEAR-EXIT 95-81	1	SA	
6	JC66-02790A	GEAR-FEED 65-28	1	SA	
7	JC66-02782A	GEAR-FUSER DR 29	1	SA	
8	JC66-00340A	GEAR-HUB CLUTCH	1	SA	
9	JC66-02781A	GEAR-FUSER DR IN 79	1	SA	
10	JC66-02789A	GEAR-OPC DR IN 69	1	SA	
11	JC70-00589A	HUB-CLUTCH	1	SA	

Drawer#	Part Code	Description	Qty	Service	Remark
12	6107-002783	SPRING-TS	1	SA	
13	JC66-02788A	GEAR-OPC DR OUT 53	1	SA	
14	JC66-02785A	GEAR-IDLE 59	1	SA	
15	JC66-02786A	GEAR-IDLE 73	1	SA	
16	JC67-00503A	COUPLER-CAM	1	SA	
17	JC67-00504A	COUPLER	1	SA	
18	6107-002785	SPRING-CS	1	SA	
19	JC66-02787A	GEAR-COUPLER 73	1	SA	
20	JC61-04087A	BRACKET-GEAR	1	SA	
21	0205-001080	GREASE-BEARING	0.138	SNA	
22	0205-001281	GREASE-BEARING	0.053	SNA	

4-3. DRIVE FEED



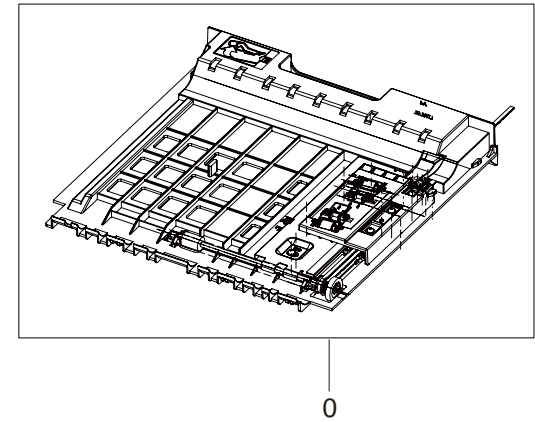
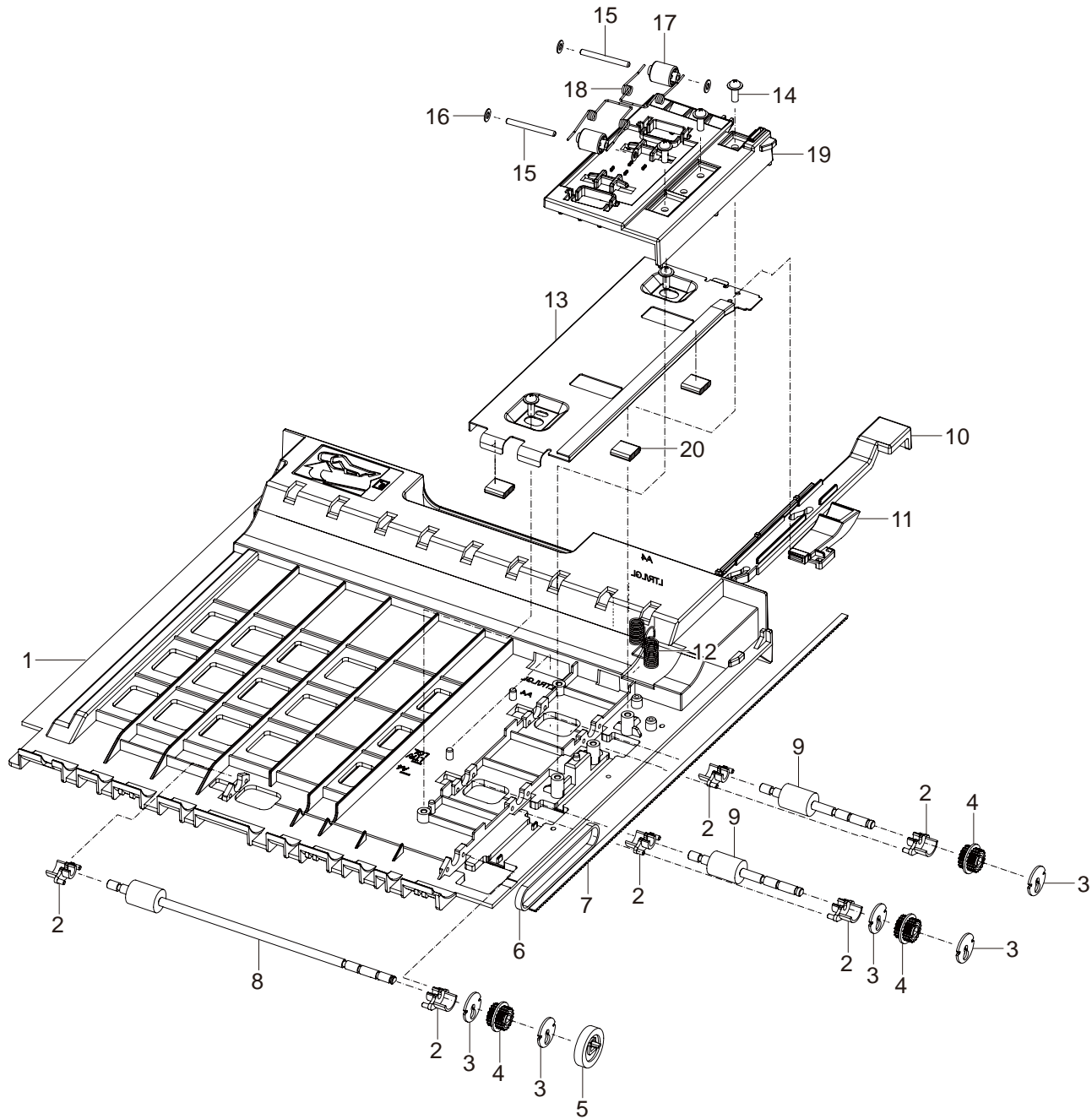
DRIVE FEED Parts List

SA : SERVICE AVAILABLE, SNA : SERVICE not AVAILABLE

Drawer#	Part Code	Description	Qty	Service	Remark
0	JC93-00329A	DRIVE-FEED	1	SA	
1	6031-001255	WASHER-PLAIN	2	SA	
2	JC66-02792A	GEAR-FEED 44-29	1	SA	
3	JC66-02793A	GEAR-MP IDLE 19	1	SA	

Drawer#	Part Code	Description	Qty	Service	Remark
4	JC61-04086A	BRACKET-FEED	1	SA	
5	0205-001080	GREASE-BEARING	0.018	SNA	
6	JC61-04105A	BUSH-SHAFT	2	SA	

4-4. Duplex



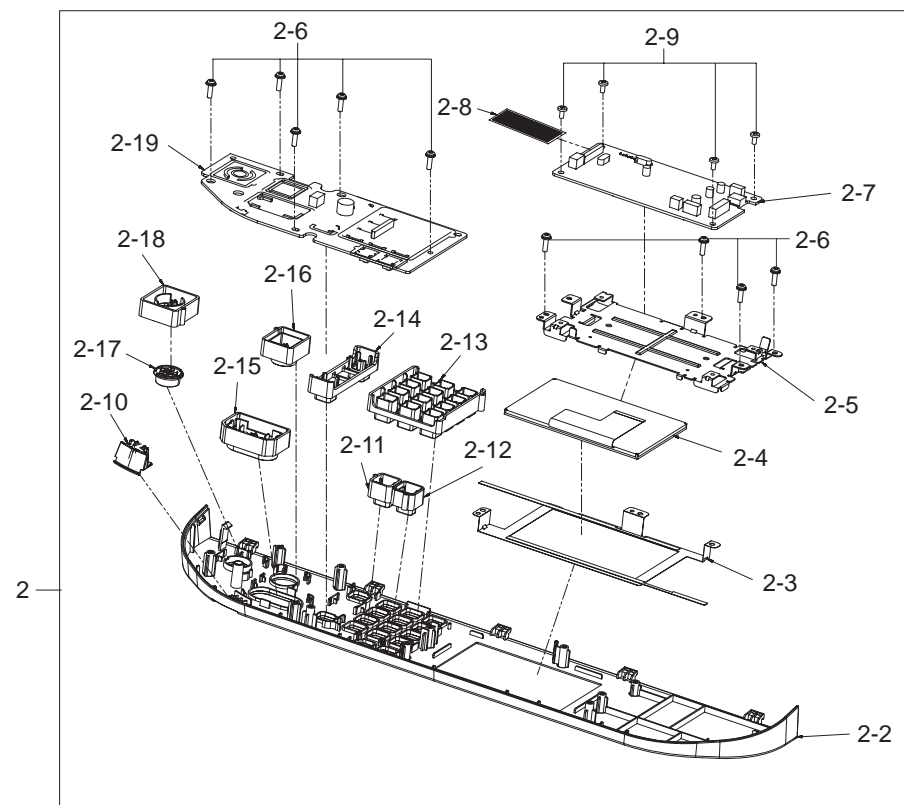
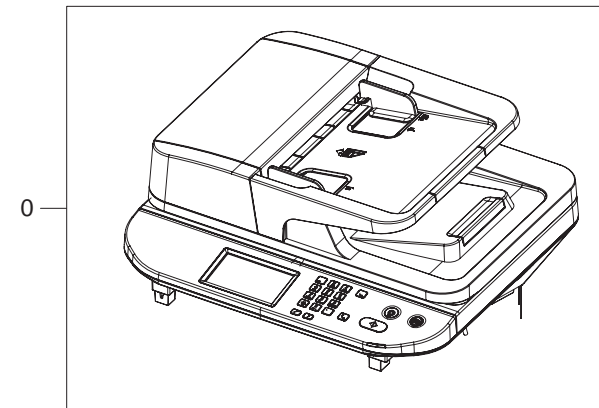
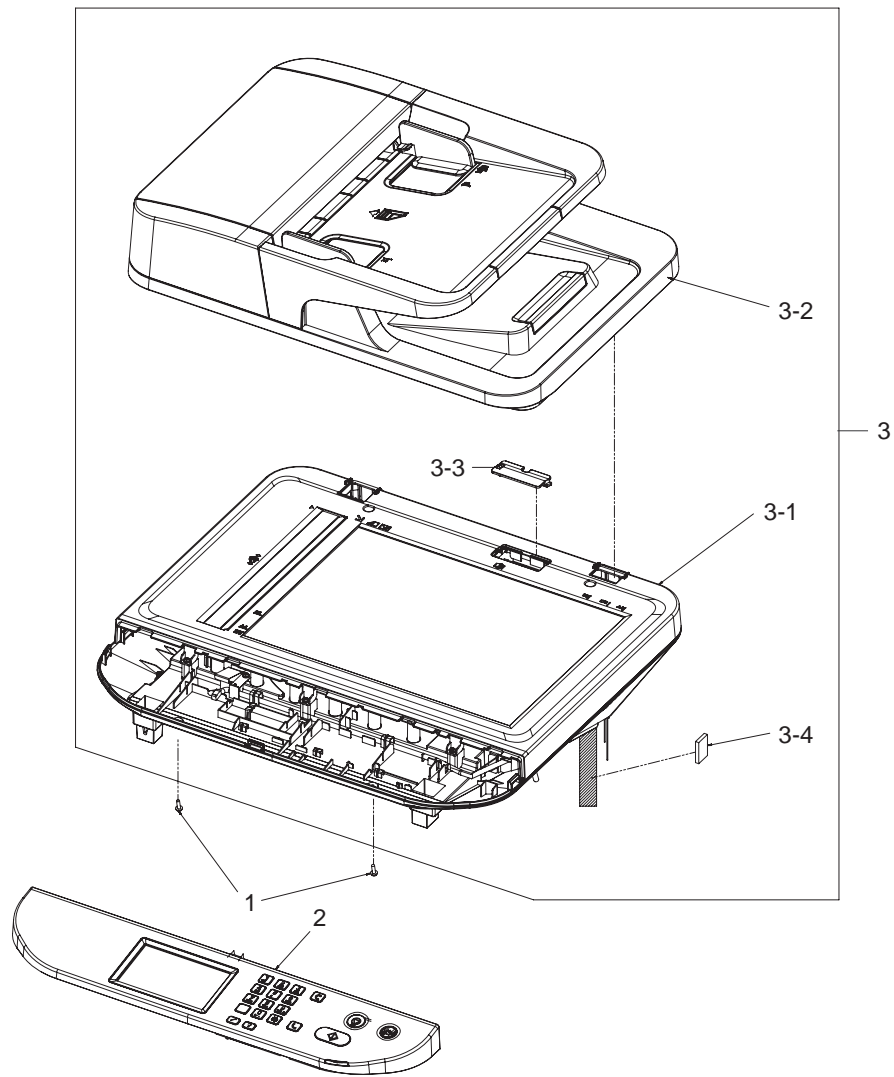
Duplex Parts List

SA : SERVICE AVAILABLE, SNA : SERVICE not AVAILABLE

Drawer#	Part Code	Description	Qty	Service	Remark
0	JC90-01031A	DUPLEX	1	SA	
1	JC61-04052A	FRAME-DUPLEX_BASE	1	SA	
2	JC61-00665A	BUSH-M-FEED, DUP	6	SA	
3	JC66-00900A	PULLEY-M-18-DUMMY_DUP	5	SA	
4	JC66-00899A	PULLEY-18_DUP	3	SA	
5	JC66-00038A	GEAR-EXIT F/DOWN	1	SA	
6	6602-001588	BELT-TIMING GEAR	1	SA	
7	JC66-20901A	BELT-TIMMING	1	SA	
8	JC66-01657A	ROLLER-FEED_DUP2	1	SNA	
9	JC66-00901A	ROLLER-FEED_DUP	2	SA	
10	JC66-02761A	LEVER-ALIGN_DUPLEX	1	SA	

Drawer#	Part Code	Description	Qty	Service	Remark
11	JC61-04055A	GUIDE-PAPER_DUPLEX	1	SA	
12	JC65-00051A	TERMINAL-GND-DUPLEX	1	SA	
13	JC61-04053A	BRACKET-DUPLEX_ALIGN	1	SA	
14	6002-000440	SCREW-TAPPING	5	SNA	
15	JC66-00444A	SHAFT-IDLE ROLL, DUP	2	SA	
16	JK72-00058A	PCT	4	SNA	
17	JC66-00896A	ROLLER-M-IDLE_DUP	2	SA	
18	6107-001156	SPRING-TS	2	SA	
19	JC61-04054A	GUIDE-DUPLEX_UPPER	1	SA	
20	JC63-03028A	GASKET-DUPLEX	3	SNA	

5. MFA (SCX-573xFW)



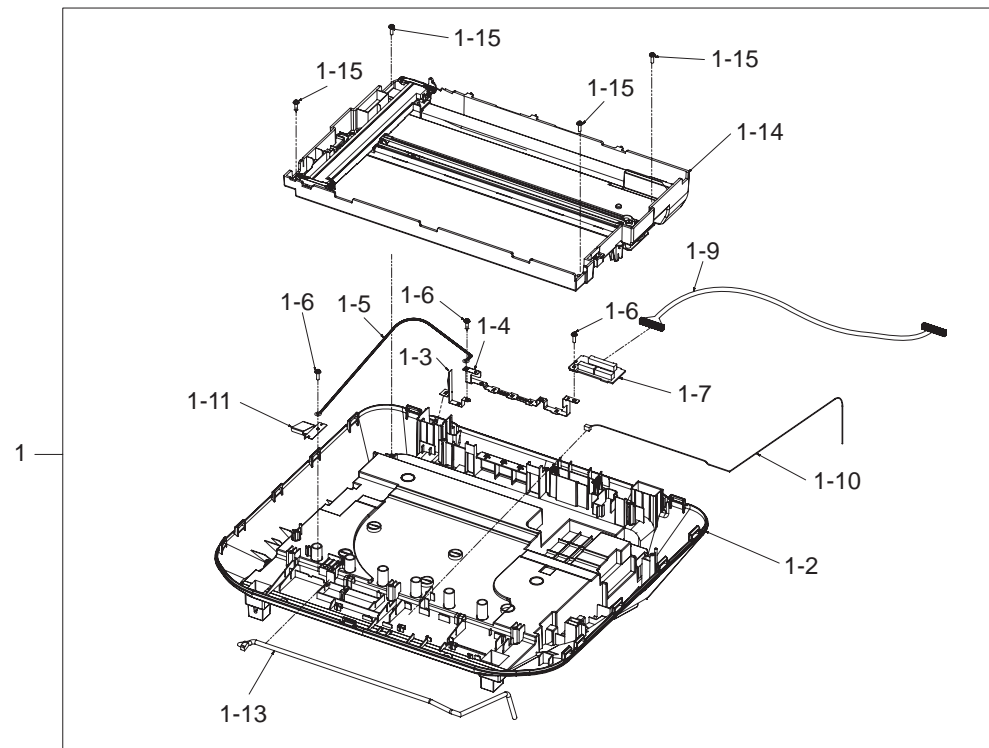
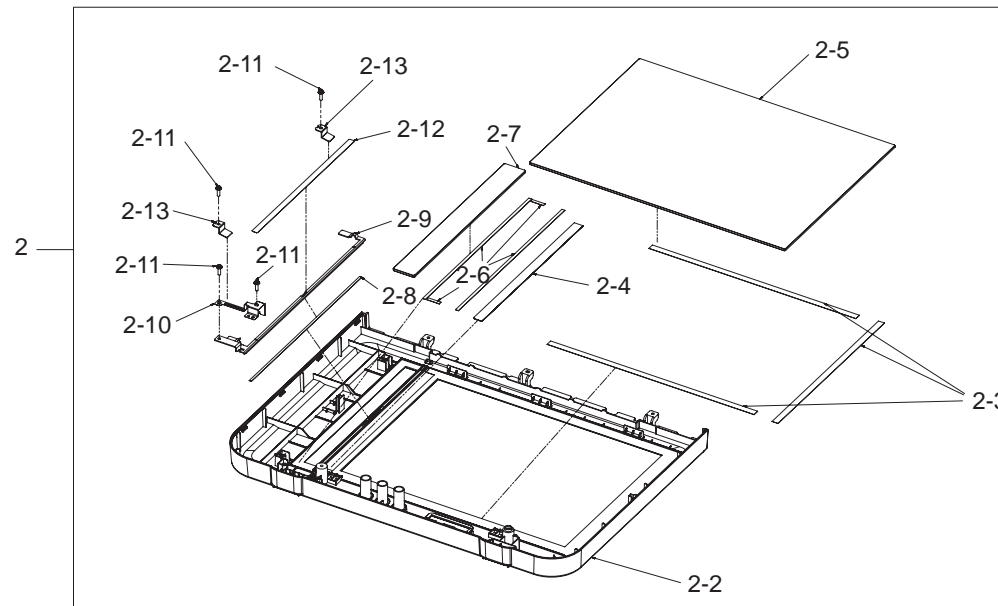
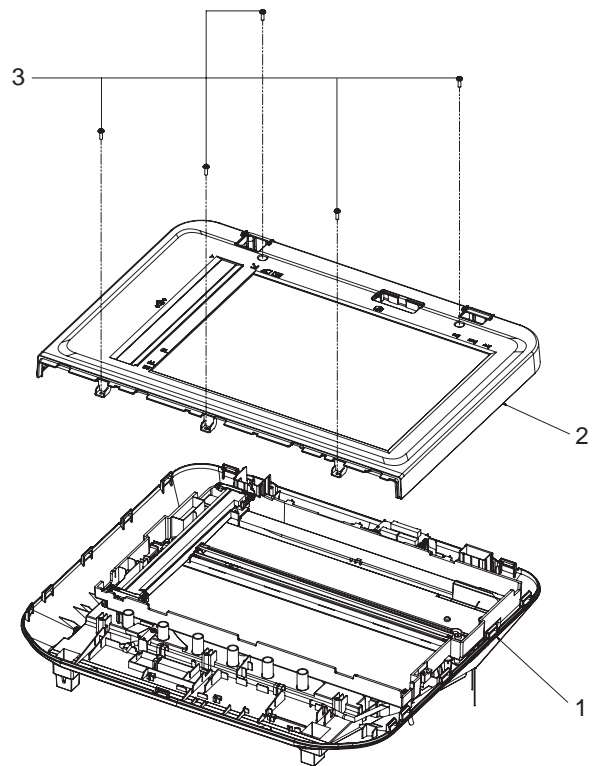
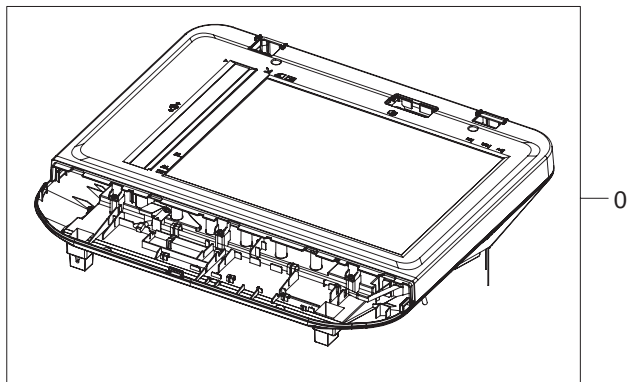
MFA (SCX-573xFW) Parts List

SA : SERVICE AVAILABLE, SNA : SERVICE not AVAILABLE

Drawer#	Part Code	Description	Qty	Service	Remark
0	JC97-03904A	MFA	1	SNA	SCX-5737FW
1	6003-000196	SCREW-TAPTYPE	2	SNA	
2	JC97-03895A	OPE	1	SNA	
2-2	JC63-02954A	COVER-OPE	1	SNA	
2-3	JC97-03897A	OPE-FRAME LCD SUB	1	SNA	
2-4	JC07-00017A	LCD	1	SA	
2-5	JC97-03896A	OPE-FRAME LCD	1	SNA	
2-6	6003-000196	SCREW-TAPTYPE	9	SNA	
2-7	JC92-02324B	PBA-OPE	1	SA	
2-8	JC39-01406A	FLAT CABLE	1	SA	
2-9	6003-000269	SCREW-TAPTYPE	4	SA	
2-10	JC67-00510A	LENS-STATUS W	1	SNA	
2-11	JC64-00622A	KEY-HELP	1	SNA	

Drawer#	Part Code	Description	Qty	Service	Remark
2-12	JC64-00623A	KEY-RESET	1	SNA	
2-13	JC64-00599B	KEY-NUMERICAL	1	SNA	
2-14	JC64-00621A	KEY-CLEAR	1	SNA	
2-15	JC64-00619A	KEY-START	1	SNA	
2-16	JC64-00564C	KEY-STOP	1	SNA	
2-17	JB64-00114F	KEY-POWER	1	SA	
2-18	JC64-00443A	KEY-POWER_B	1	SNA	
2-19	JC92-02365A	PBA-OPE KEY SUB	1	SNA	
2-20	6003-000196	SCREW-TAPTYPE	5	SNA	
3	JC97-03913A	SCANNER	1	SNA	
3-1	JC97-03887B	PLATEN	1	SNA	
3-2	JC97-03885A	DADF	1	SA	
3-3	JC63-02950A	COVER-CONNECTOR	1	SNA	

5-1. PLATEN (SCX-573xFW)



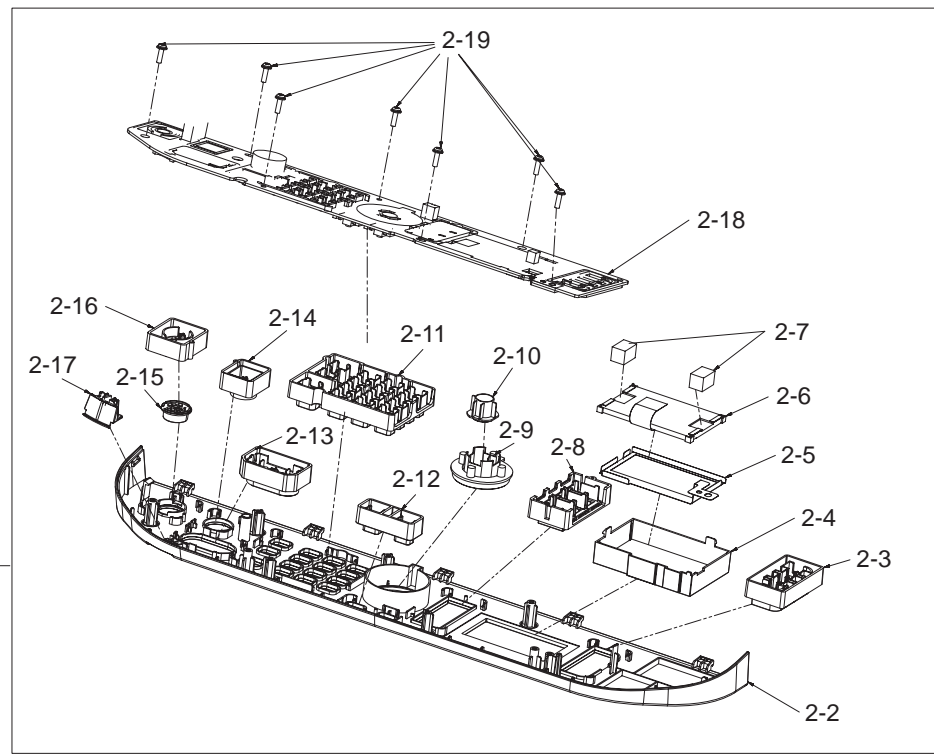
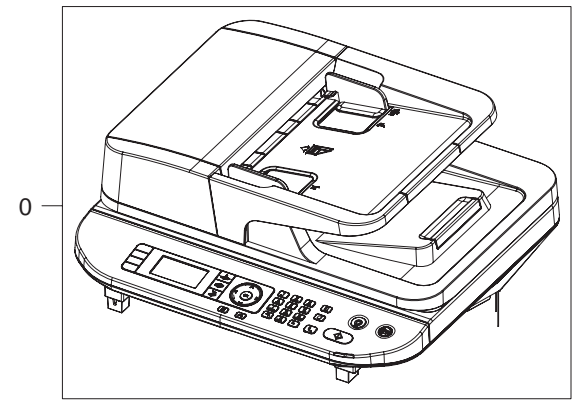
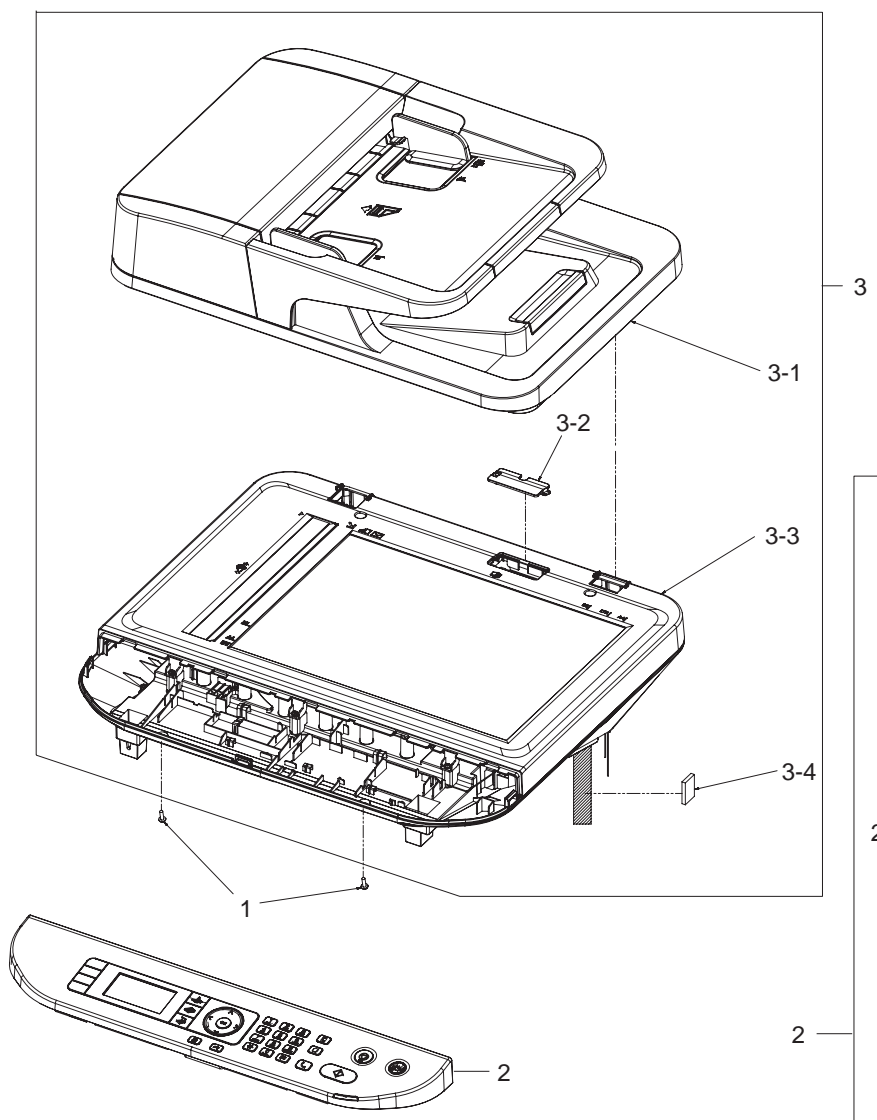
PLATEN (SCX-573xFW) Parts List

SA : SERVICE AVAILABLE, SNA : SERVICE not AVAILABLE

Drawer#	Part Code	Description	Qty	Service	Remark
0	JC97-03887B	PLATEN	1	SNA	
1	JC97-03891B	PLATEN-LOWER	1	SNA	
1-2	JC63-02952A	COVER-SCAN LOWER	1	SNA	
1-3	JC63-01565A	GROUND-CONNECTION	1	SNA	
1-4	JC63-02938A	GROUND-SCAN LOWER	1	SNA	
1-5	JC39-01497A	HARNESS-SCAN GND	1	SNA	
1-6	6003-000196	SCREW-TAPTYPE	8	SNA	
1-7	JC92-02353A	PBA-JOINT	1	SNA	
1-9	JC39-01455A	HARNESS-DADF JOINT	1	SNA	
1-10	JC39-01499A	HARNESS-OPE GUI	1	SNA	
1-11	JC63-02044A	GROUND-PLATE LCD	1	SNA	
1-13	JC39-01498A	HARNESS-OPE USB	1	SNA	
1-14	JC97-03912A	PLATEN-A4_MIDDLE	1	SA	Refer to 8.
1-15	6003-000196	SCREW-TAPTYPE	8	SNA	
2	JC97-03888A	PLATEN-UPPER	1	SNA	
2-2	JC63-02951A	COVER-SCAN UPPER	1	SNA	
2-3	0203-001267	TAPE-DOUBLE FACE	3	SNA	

Drawer#	Part Code	Description	Qty	Service	Remark
2-4	JC63-03048A	SHEET-SHADING	1	SA	
2-5	JC01-00059A	GLASS-PLATEN	1	SNA	
2-6	0203-001266	TAPE-DOUBLE FACE	2	SNA	
2-7	JC01-00058A	GLASS-ADF	1	SNA	
2-8	0203-006379	TAPE-DOUBLE FACE	1	SNA	
2-9	JC61-04162A	BRACKET-SCAN	1	SNA	
2-10	JC63-02966A	GROUND-SCAN UPPER	1	SNA	
2-11	6003-000196	SCREW-TAPTYPE	4	SNA	
2-12	JC63-03033A	SHEET-ADF GLASS	1	SNA	
2-13	JB70-00148A	IPR-HOLDER GLASS	2	SA	
3	6003-000196	SCREW-TAPTYPE	5	SNA	

6. MFA (SCX-483xFR / 563xFR / 563xHR)



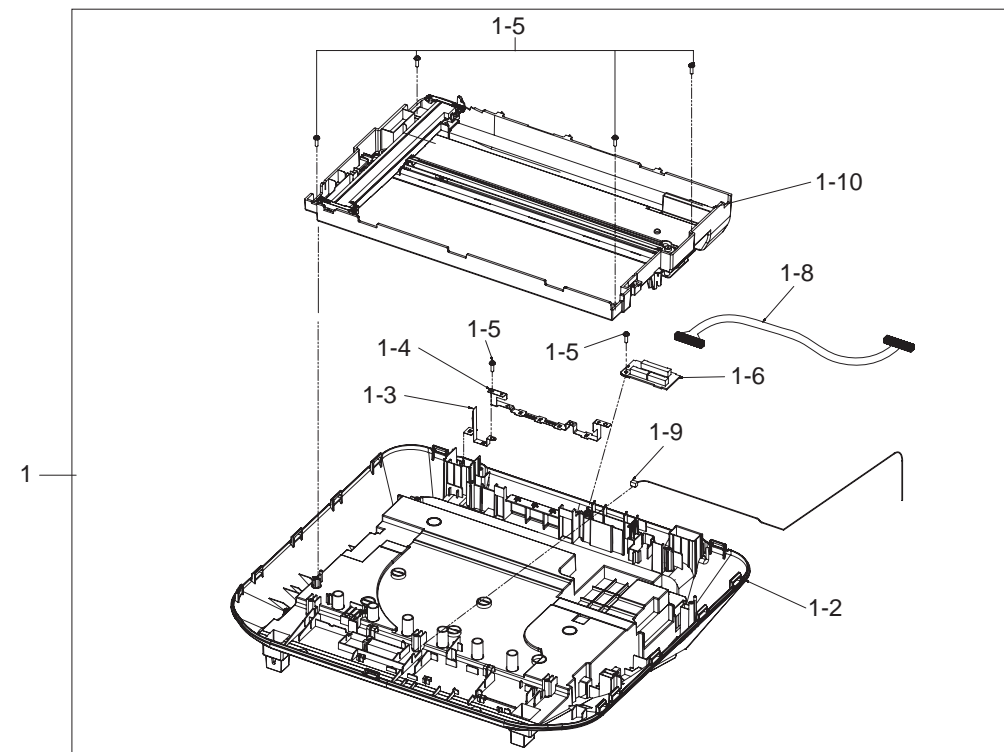
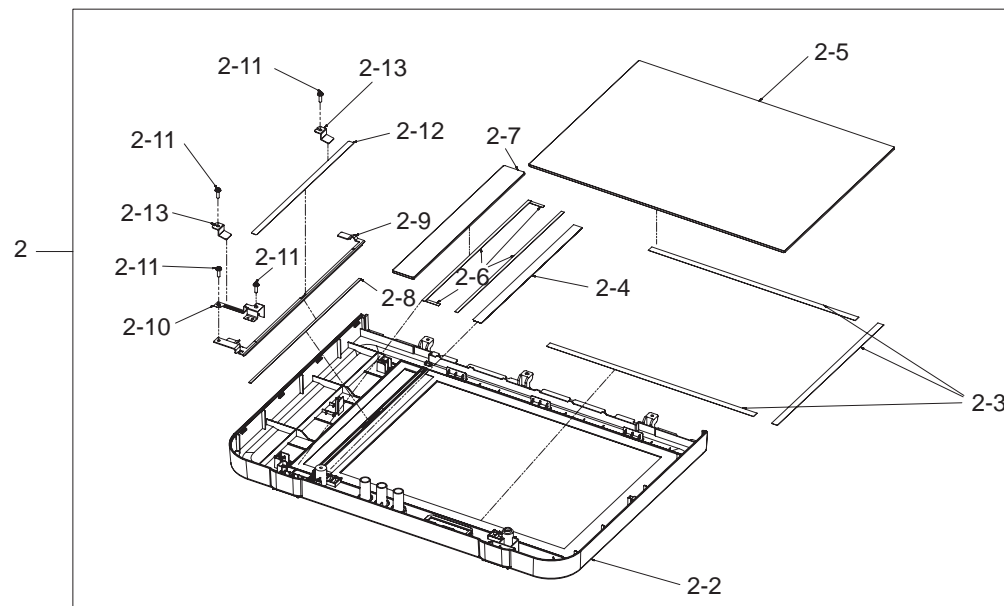
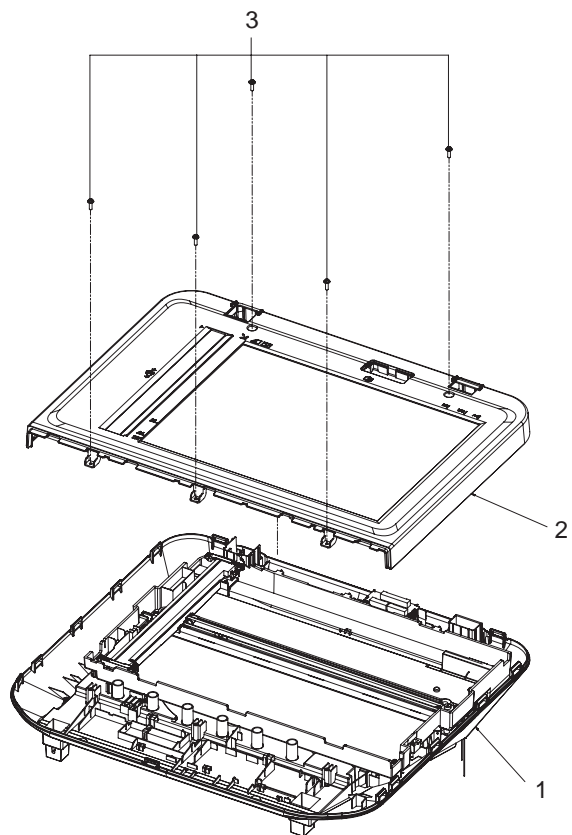
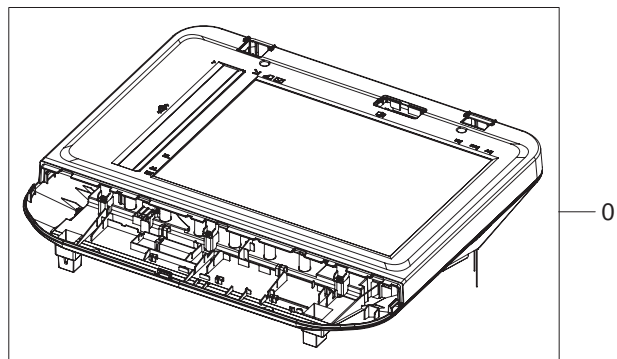
MFA (SCX-483xFR / 563xFR / 563xHR) Parts List

SA : SERVICE AVAILABLE, SNA : SERVICE not AVAILABLE

Drawer#	Part Code	Description	Qty	Service	Remark
0	JC97-03900A	MFA	1	SNA	SCX-563xFR
0	JC97-03900A	MFA	1	SNA	SCX-563xHR
0	JC97-03900A	MFA	1	SNA	SCX-483xFR
1	6003-000196	SCREW-TAPTYPE	2	SNA	
2	JC97-03893A	OPE	1	SNA	SCX-483xFR
2	JC97-03894A	OPE	1	SNA	SCX-563xFR
2	JC97-03894H	OPE	1	SNA	SCX-563xHR
2-2	JC63-02953A	COVER-OPE	1	SNA	SCX-483xFR
2-2	JC63-03034A	COVER-OPE	1	SNA	SCX-563xFR
2-2	JC63-03034H	COVER-OPE	1	SNA	SCX-563xHR
2-3	JC64-00617A	KEY-FUNCTION	1	SNA	
2-4	JC61-02792A	HOLDER-LCD	1	SNA	
2-5	JC61-04148A	BRACKET-LCD	1	SNA	
2-6	JC07-00012A	LCD	1	SA	
2-7	JC72-01529A	SPONGE-LCD	2	SNA	
2-8	JC64-00569B	KEY-FAX	1	SNA	
2-9	JC64-00601B	KEY-CIRCLE	1	SNA	

Drawer#	Part Code	Description	Qty	Service	Remark
2-10	JC64-00566C	KEY-OK	1	SNA	
2-11	JC64-00618A	KEY-NUMERICAL	1	SNA	
2-12	JC64-00620A	KEY-BACK	1	SNA	
2-13	JC64-00619A	KEY-START	1	SNA	
2-14	JC64-00564C	KEY-STOP	1	SNA	
2-15	JB64-00114F	KEY-POWER	1	SA	
2-16	JC64-00443A	KEY-POWER_B	1	SNA	
2-17	JC67-00510B	LENS-STATUS 4 LINE	1	SNA	
2-18	JC92-02366A	PBA-OPE	1	SA	
2-19	6003-000196	SCREW-TAPTYPE	7	SNA	
3	JC97-03898A	SCANNER	1	SNA	
3-1	JC97-03885A	DADF	1	SA	
3-2	JC63-02950A	COVER-CONNECTOR	1	SNA	
3-3	JC97-03887A	PLATEN	1	SNA	

6-1. PLATEN (SCX-483xFR / 563xFR / 563xHR)



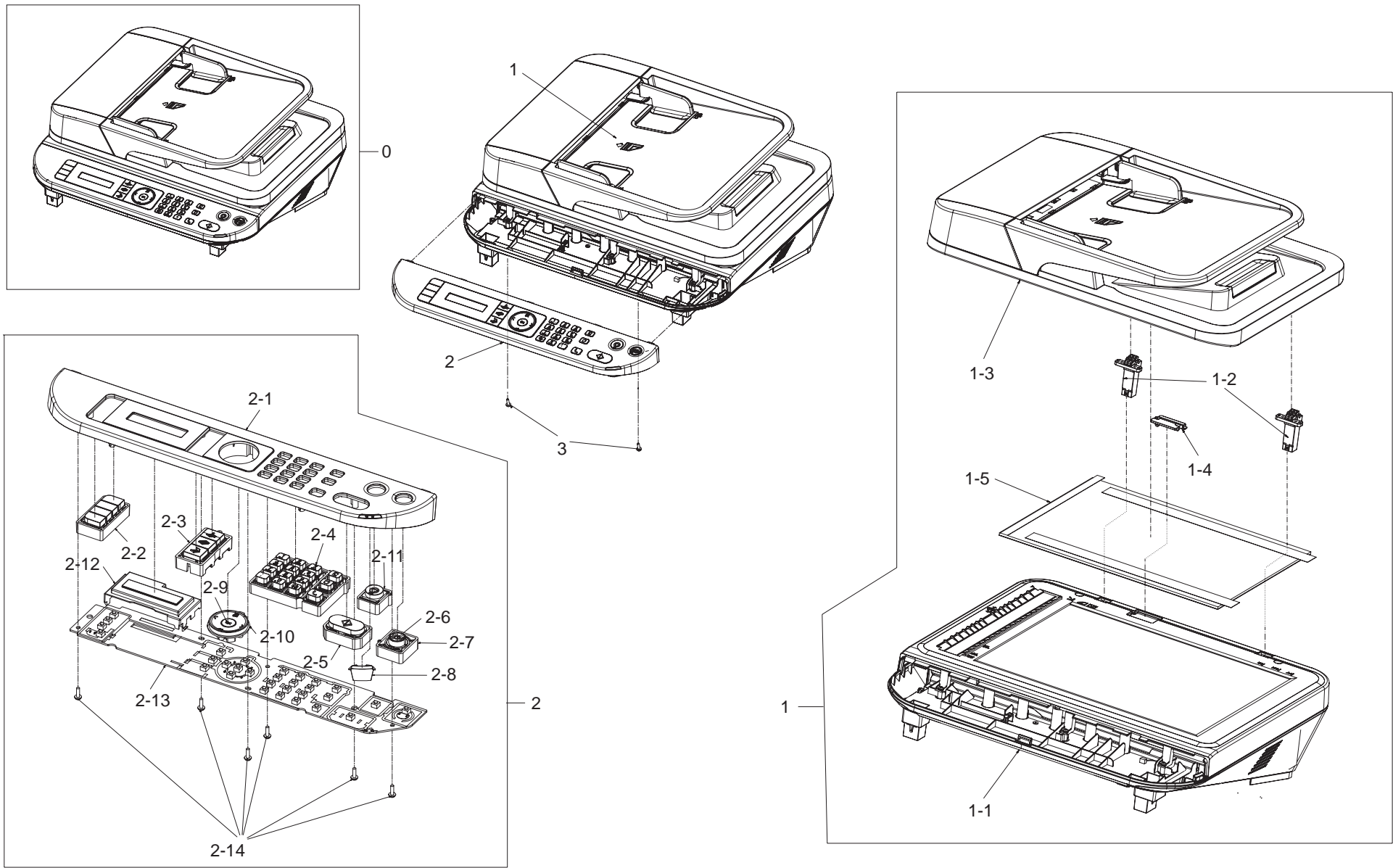
PLATEN (SCX-483xFR / 563xFR / 563xHR) Parts List

SA : SERVICE AVAILABLE, SNA : SERVICE not AVAILABLE

Drawer#	Part Code	Description	Qty	Service	Remark
0	JC97-03887A	PLATEN	1	SNA	
1	JC97-03891A	PLATEN-LOWER	1	SNA	
1-2	JC63-02952A	COVER-SCAN LOWER	1	SNA	
1-3	JC63-01565A	GROUND-CONNECTION	1	SNA	
1-4	JC63-02938A	GROUND-SCAN LOWER	1	SNA	
1-5	6003-000196	SCREW-TAPTYPE	6	SNA	
1-6	JC92-02353A	PBA-JOINT	1	SNA	
1-8	JC39-01455A	HARNESS-DADF JOINT	1	SNA	
1-9	JC39-01454A	HARNESS-OPE	1	SNA	
1-10	JC97-03912A	PLATEN-A4_MIDDLE	1	SA	Refer to 8.
2	JC97-03888A	PLATEN-UPPER	1	SA	
2-2	JC63-02951A	COVER-SCAN UPPER	1	SNA	

Drawer#	Part Code	Description	Qty	Service	Remark
2-3	0203-001267	TAPE-DOUBLE FACE	3	SNA	
2-4	JC63-03048A	SHEET-SHADING	1	SA	
2-5	JC01-00059A	GLASS-PLATEN	1	SNA	
2-6	0203-001266	TAPE-DOUBLE FACE	2	SNA	
2-7	JC01-00058A	GLASS-ADF	1	SNA	
2-8	0203-006379	TAPE-DOUBLE FACE	1	SNA	
2-9	JC61-04162A	BRACKET-SCAN	1	SNA	
2-10	JC63-02966A	GROUND-SCAN UPPER	1	SNA	
2-11	6003-000196	SCREW-TAPTYPE	4	SNA	
2-12	JC63-03033A	SHEET-ADF GLASS	1	SNA	
2-13	JB70-00148A	IPR-HOLDER GLASS	2	SA	
3	6003-000196	SCREW-TAPTYPE	5	SNA	

7. MFA (SCX-483xFD / 483xHD)



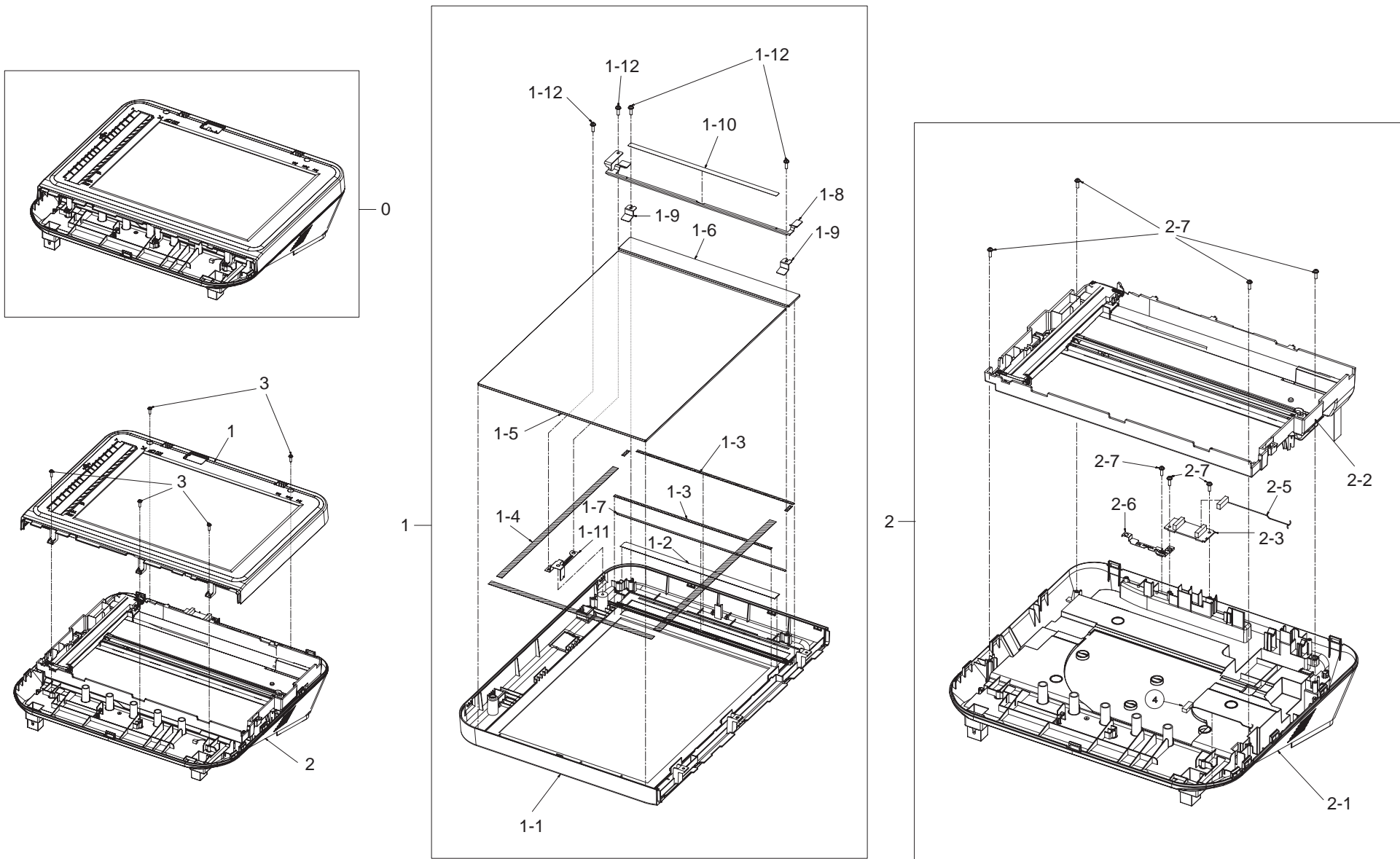
MFA (SCX-483xFD / 4833HD) Parts List

Drawer#	Part Code	Description	Qty	Service	Remark
0	JC97-03902A	MFA	1	SNA	SCX-483xFD
0	JC97-03902H	MFA	1	SNA	SCX-4833HD
1	JC97-03899A	SCANNER	1	SNA	
1-1	JC97-03886A	PLATEN	1	SNA	
1-2	JC97-03191A	MEA UNIT-HINGE L	2	SA	
1-3	JC97-03869A	ADF	1	SA	
1-4	JC63-02946A	COVER-CONNECTOR	1	SNA	
1-5	JC01-00060A	SHEET-WHITE	1	SA	
2	JC97-03892A	OPE	1	SNA	SCX-483xFD
2	JC97-03892H	OPE	1	SNA	SCX-4833HD
2-1	JC63-02949A	COVER-OPE	1	SNA	SCX-483xFD
2-1	JC63-02949H	COVER-OPE	1	SNA	SCX-4833HD
2-2	JC64-00617A	KEY-FUNCTION	1	SNA	
2-3	JC64-00569B	KEY-FAX	1	SNA	
2-4	JC64-00618A	KEY-NUMERICAL	1	SNA	

SA : SERVICE AVAILABLE, SNA : SERVICE not AVAILABLE

Drawer#	Part Code	Description	Qty	Service	Remark
2-5	JC64-00619A	KEY-START	1	SNA	
2-6	JB64-00114F	KEY-POWER	1	SA	
2-7	JC64-00443A	KEY-POWER_B	1	SNA	
2-8	JC67-00508A	LENS-STATUS	1	SNA	
2-9	JC64-00566C	KEY-OK	1	SNA	
2-10	JC64-00565B	KEY-MENU	1	SNA	
2-11	JC64-00564C	KEY-STOP	1	SNA	
2-12	JC63-01802A	COVER-LCD	1	SA	
2-13	JC92-02352A	PBA-OPE	1	SA	
2-13	JC92-02352B	PBA-OPE	1	SA	CHINA / KOREA
2-14	6003-000196	SCREW-TAPTYPE	6	SNA	
3	6003-000196	SCREW-TAPTYPE	2	SNA	

7-1. PLATEN (SCX-483xFD / 4833HD)



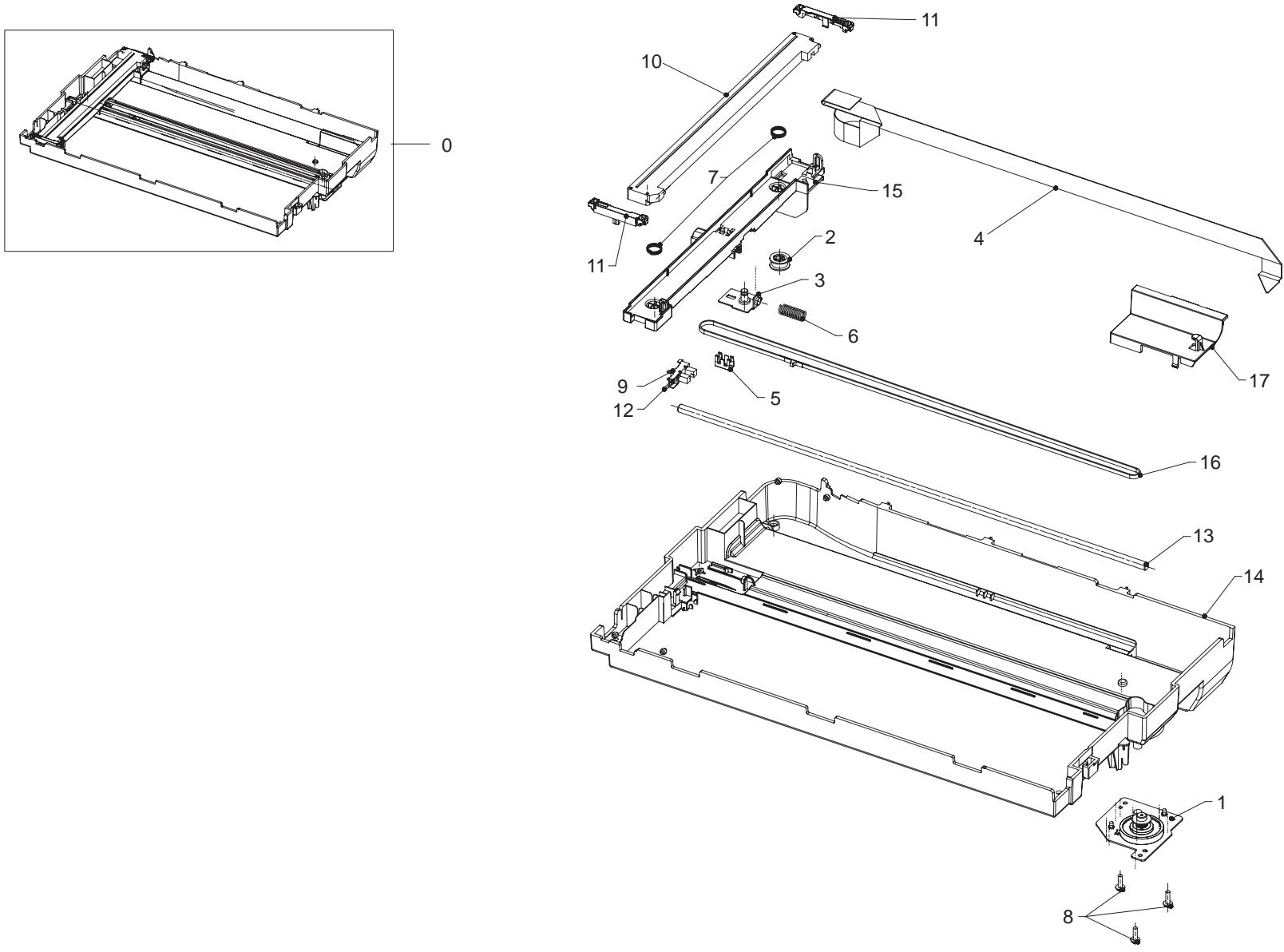
PLATEN (SCX-4833FD / 4833HD) Parts List

Drawer#	Part Code	Description	Qty	Service	Remark
0	JC97-03886A	PLATEN	1	SNA	
1	JC97-03890A	PLATEN-UPPER	1	SNA	
1-1	JC63-02947A	COVER-SCAN UPPER	1	SNA	
1-2	JC63-03048A	SHEET-SHADING	1	SA	
1-3	0203-001266	TAPE-DOUBLE FACE	2	SNA	
1-4	0203-001267	TAPE-DOUBLE FACE	3	SNA	
1-5	JC01-00059A	GLASS-PLATEN	1	SNA	
1-6	JC01-00058A	GLASS-ADF	1	SNA	
1-7	0203-006379	TAPE-DOUBLE FACE	1	SNA	
1-8	JC61-04162A	BRACKET-SCAN	1	SNA	
1-9	JB70-00148A	IPR-HOLDER GLASS	2	SA	
1-10	JC63-03033A	SHEET-ADF GLASS	1	SNA	

SA : SERVICE AVAILABLE, SNA : SERVICE not AVAILABLE

Drawer#	Part Code	Description	Qty	Service	Remark
1-11	JC63-02966A	GROUND-SCAN UPPER	1	SNA	
1-12	6003-000196	SCREW-TAPTYPE	4	SNA	
2	JC97-03889A	PLATEN-LOWER	1	SNA	
2-1	JC63-02948A	COVER-SCAN LOWER	1	SNA	
2-2	JC97-03911A	PLATEN-A4_MIDDLE	1	SA	Refer to 8.
2-3	JC92-02387A	PBA-ADF	1	SNA	
2-4	JC39-01454A	HARNESS-OPE	1	SNA	
2-5	JC39-01456A	HARNESS ADF JOINT	1	SNA	
2-6	JC63-02967A	GROUND-SCAN LOWER B	1	SNA	
2-7	6003-000196	SCREW-TAPTYPE	7	SNA	
3	6003-000196	SCREW-TAPTYPE	5	SNA	

8. PLATEN-A4 MIDDLE



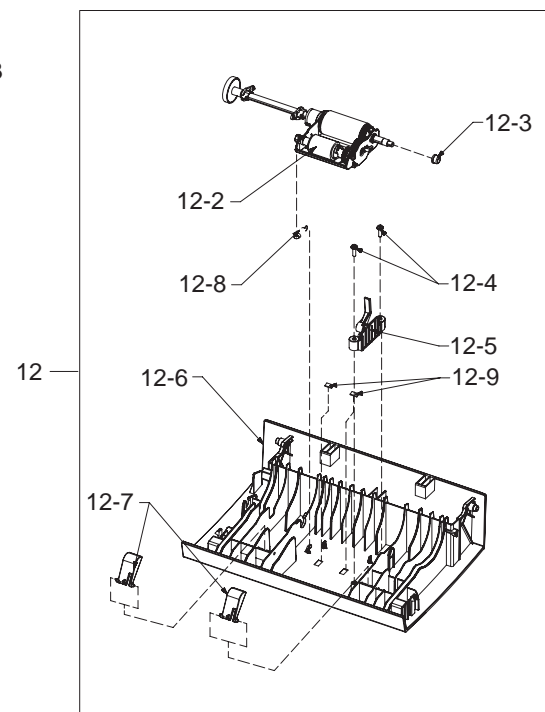
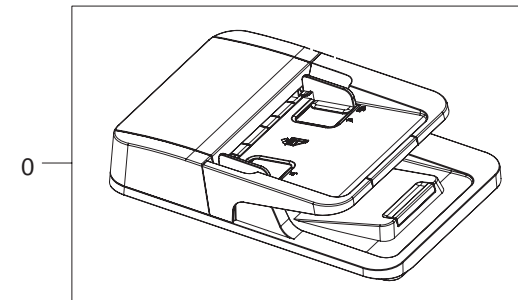
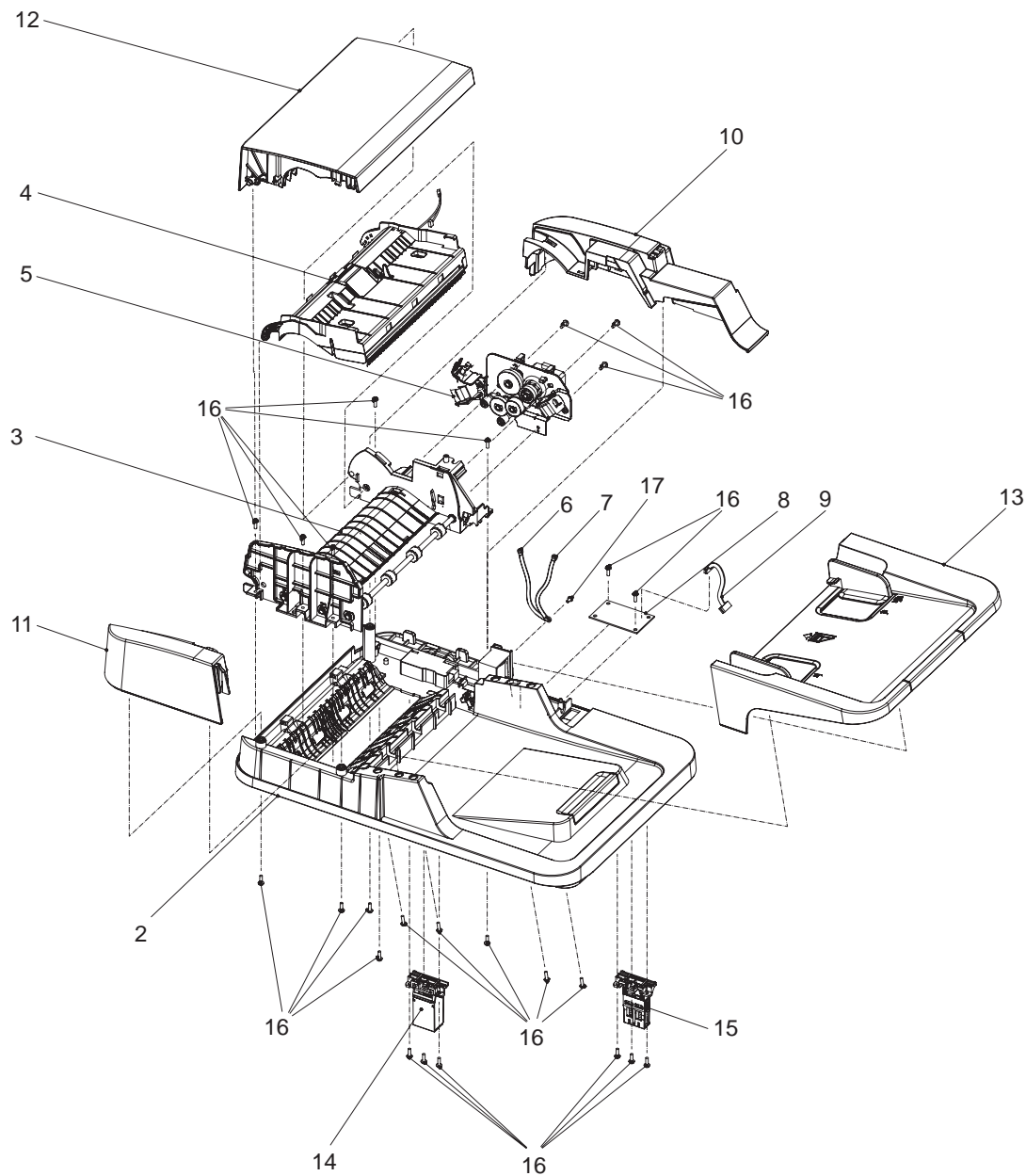
PLATEN-A4 MIDDLE Parts List

SA : SERVICE AVAILABLE, SNA : SERVICE not AVAILABLE

Drawer#	Part Code	Description	Qty	Service	Remark
0	JC97-03912A	PLATEN-A4_MIDDLE	1	SA	SCX-483xFR/5x3x series
0	JC97-03911A	PLATEN-A4_MIDDLE	1	SA	SCX-483xFD
1	JC96-05013A	ELA UNIT-SCAN DRIVE	1	SA	
2	JC66-00713A	PULLEY-M_IDLE	1	SNA	
3	JC61-04143A	BRACKET-PULLEY_SCAN	1	SA	
4	JC39-01489A	FLAT CABLE	1	SNA	SCX-483xFR/5x3x series
4	JC39-01490A	FLAT CABLE	1	SNA	SCX-483xFD
5	JB61-00232A	CLIP-P-BELT	1	SNA	
6	6107-001194	SPRING-CS	1	SA	
7	6107-001137	SPRING-CS	2	SA	

Drawer#	Part Code	Description	Qty	Service	Remark
8	6003-000196	SCREW-TAPTYPE	3	SA	
9	0604-001415	PHOTO-INTERRUPTER	1	SA	
10	0609-001408	CONTACT IMAGE SENSOR	1	SA	SCX-483xFR/5x3x series
10	0609-001409	CONTACT IMAGE SENSOR	1	SA	SCX-483xFD
11	JC61-04145A	GUIDE-CIS	2	SA	
12	JC39-01453A	HARNESS-SCAN HOME	1	SNA	
13	JC66-02831A	SHAFT-SCAN	1	SA	
14	JC61-04142A	FRAME-SCAN LOWER_STD	1	SA	
15	JC61-04146A	BRACKET-CIS	1	SA	
16	6602-002970	BELT-TIMING GEAR	1	SA	
17	JC63-02934A	COVER-FFC	1	SA	

9. DADF (SCX-573xFW / 563x series / 483xFR)



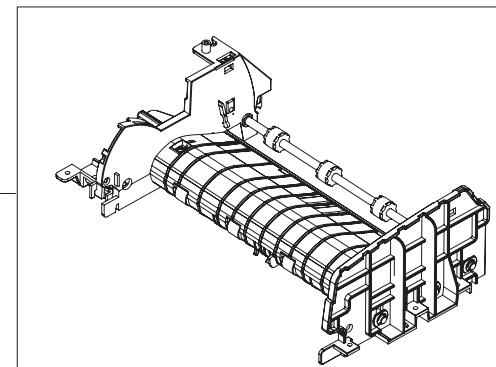
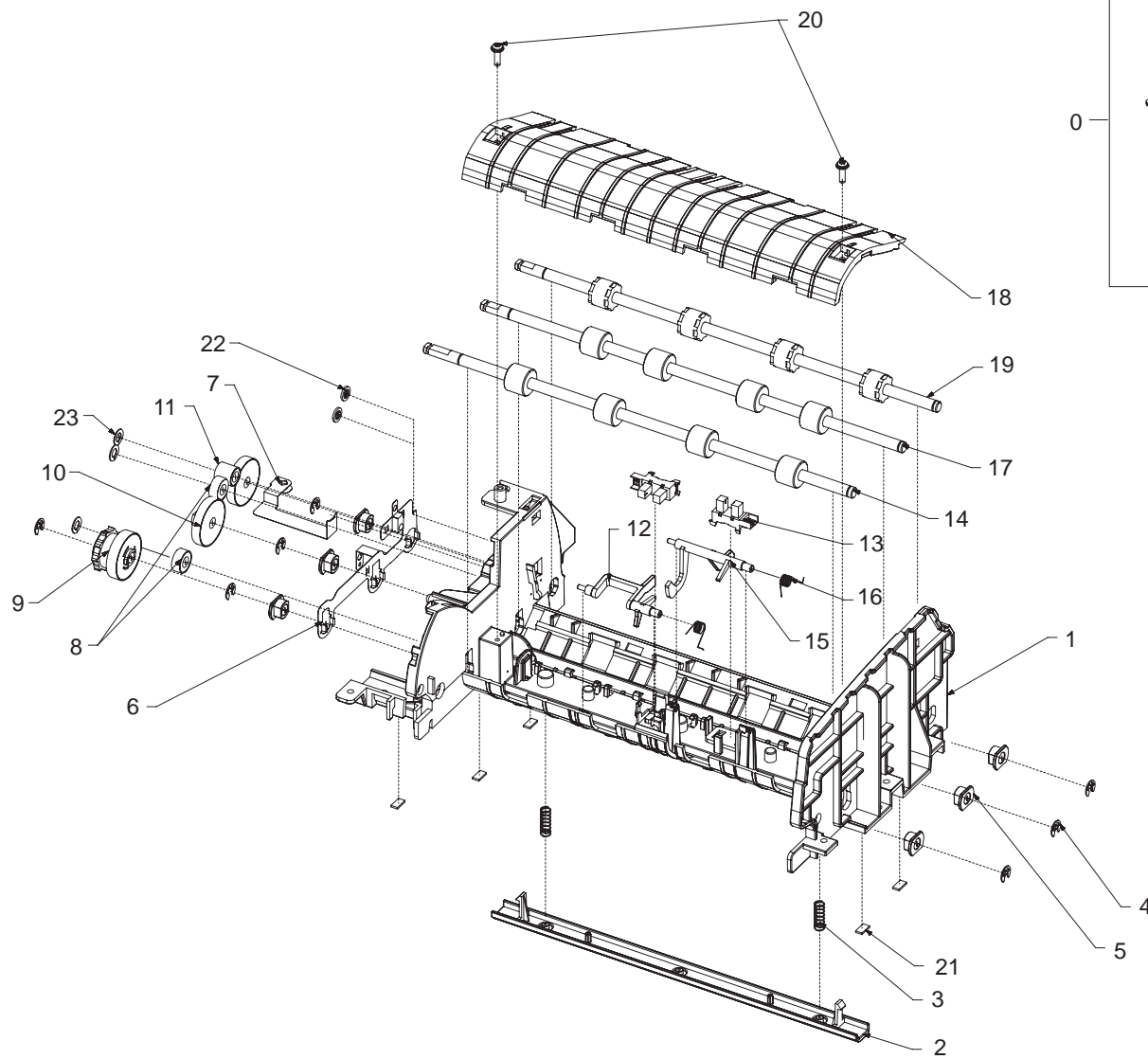
DADF (SCX-573xFW / 563x series / 483xFR) Parts List

SA : SERVICE AVAILABLE, SNA : SERVICE not AVAILABLE

Drawer#	Part Code	Description	Qty	Service	Remark
0	JC97-03885A	DADF	1	SA	
2	JC97-03881A	DADF-PLATEN	1	SA	
3	JC97-03882A	DADF-LOWER	1	SA	
4	JC97-03883A	DADF-UPPER	1	SA	
5	JC93-00208A	DRIVE-DADF	1	SA	
6	JC39-00507A	CBF HARNESS-GND1	1	SA	
7	JC39-00509A	CBF HARNESS-GND ZENER	1	SA	
8	JC92-01954A	PBA-DADF	1	SA	
9	JC39-01493A	HARNESS-DADF	1	SA	
10	JC63-02925A	COVER-DADF_REAR	1	SNA	
11	JC63-02924A	COVER-DADF_FRONT	1	SNA	
12	JC97-03880A	DADF-COVER OPEN	1	SA	
12-2	JC97-03070A	MEA UNIT-PICK UP DADF	1	SA	

Drawer#	Part Code	Description	Qty	Service	Remark
12-3	JB72-00819A	PMO-BUSH	1	SA	
12-4	6003-000196	SCREW-TAPTYPE	2	SNA	
12-5	JC97-03060A	MEA UNIT-STOPPER	1	SA	
12-6	JC63-02926A	COVER-OPEN	1	SNA	
12-7	JC61-00788A	GUIDE-M_DOC SENSOR	2	SNA	
12-8	JC61-02489A	SPRING ETC-PICKUP	1	SA	
12-9	JC66-01876A	DAMPER-DADF UPPER	2	SNA	
13	JC97-03884A	DADF-STACKER	1	SA	
14	JC97-03038A	MEA UNIT-HINGE DADF	1	SA	
15	JC97-03220A	MEA-UNIT HINGE	1	SA	
16	6003-000196	SCREW-TAPTYPE	25	SNA	
17	6001-000130	SCREW-MACHINE	1	SNA	

9-1. DADF LOWER (SCX-573xFW / 563x series / 483xFR)



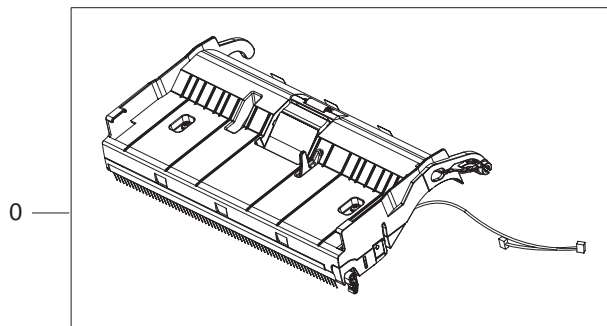
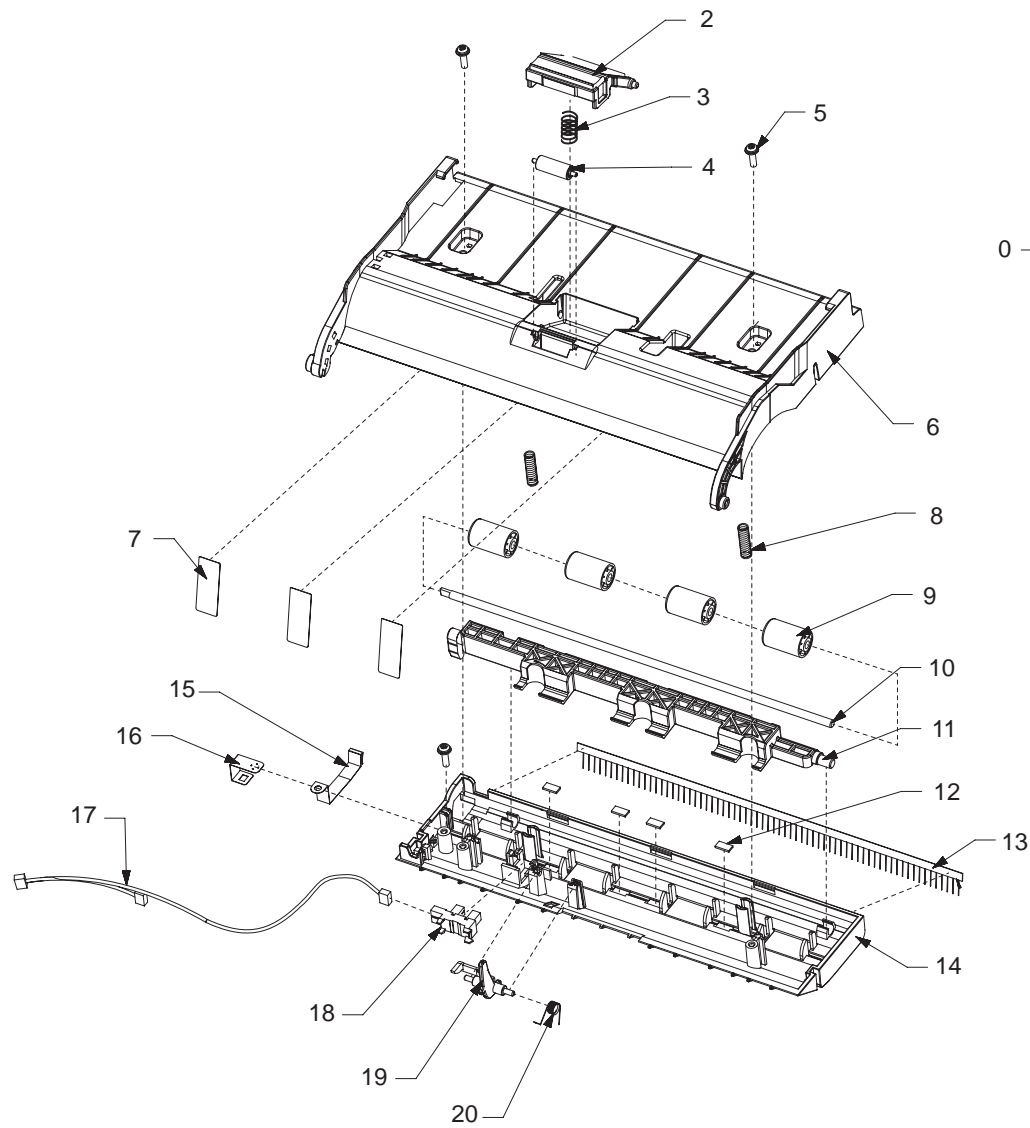
DADF LOWER (SCX-573xFW / 563x series / 483xFR) Parts List

SA : SERVICE AVAILABLE, SNA : SERVICE not AVAILABLE

Drawer#	Part Code	Description	Qty	Service	Remark
0	JC97-03882A	DADF-LOWER	1	SA	
1	JC63-02931A	COVER-DADF_LOWER	1	SNA	
2	JC61-04160A	PLATE-WHITE BAR	1	SNA	
3	JC61-70935A	SPRING ETC-SEPERATE P/UP	2	SA	
4	6044-000125	RING-E	7	SA	
5	JC61-00423A	BUSH-6_D	6	SA	
6	JC63-01662A	GROUND-FEED EXIT	1	SA	
7	JC63-01661A	GROUND-DADF	1	SA	
8	JC66-01755A	GEAR-FEED IDLE D	2	SA	
9	JC97-03085A	MEA-GEAR FEED	1	SA	
10	JC66-01757A	GEAR-EXIT	2	SA	
11	JC66-01754A	GEAR-FEED IDLE C	1	SA	
12	JC66-01766A	ACTUATOR-FEED	1	SA	

Drawer#	Part Code	Description	Qty	Service	Remark
13	0604-001095	PHOTO-INTERRUPTER	2	SA	
14	JC66-01823A	ROLLER-FEED	1	SA	
15	JC66-01762A	ACTUATOR-REGI	1	SA	
16	JB61-00076A	SPRING ETC-TORSION DOC (CC2-F)	2	SA	
17	JC66-01822A	ROLLER-MIDDLE	1	SA	
18	JC63-01597F	COVER-DADF_MIDDLE	1	SNA	
19	JC66-01824A	ROLLER-EXIT	1	SA	
20	6003-000196	SCREW-TAPTYPE	2	SNA	
21	JC66-01876A	DAMPER-DADF UPPER	5	SNA	
22	6044-000001	RING-CS	2	SA	
23	6031-001255	WASHER-PLAIN	3	SA	
24	JC39-00853A	HARNESS-DADF SENSOR 1	1	SA	

9-2. DADF UPPER (SCX-573xFW / 563x series / 483xFR)



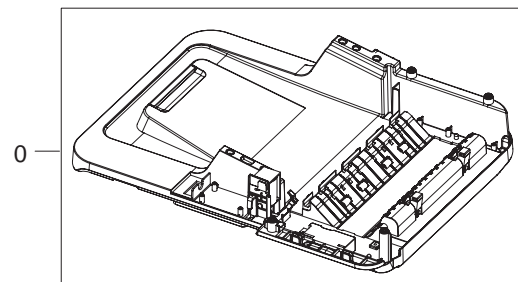
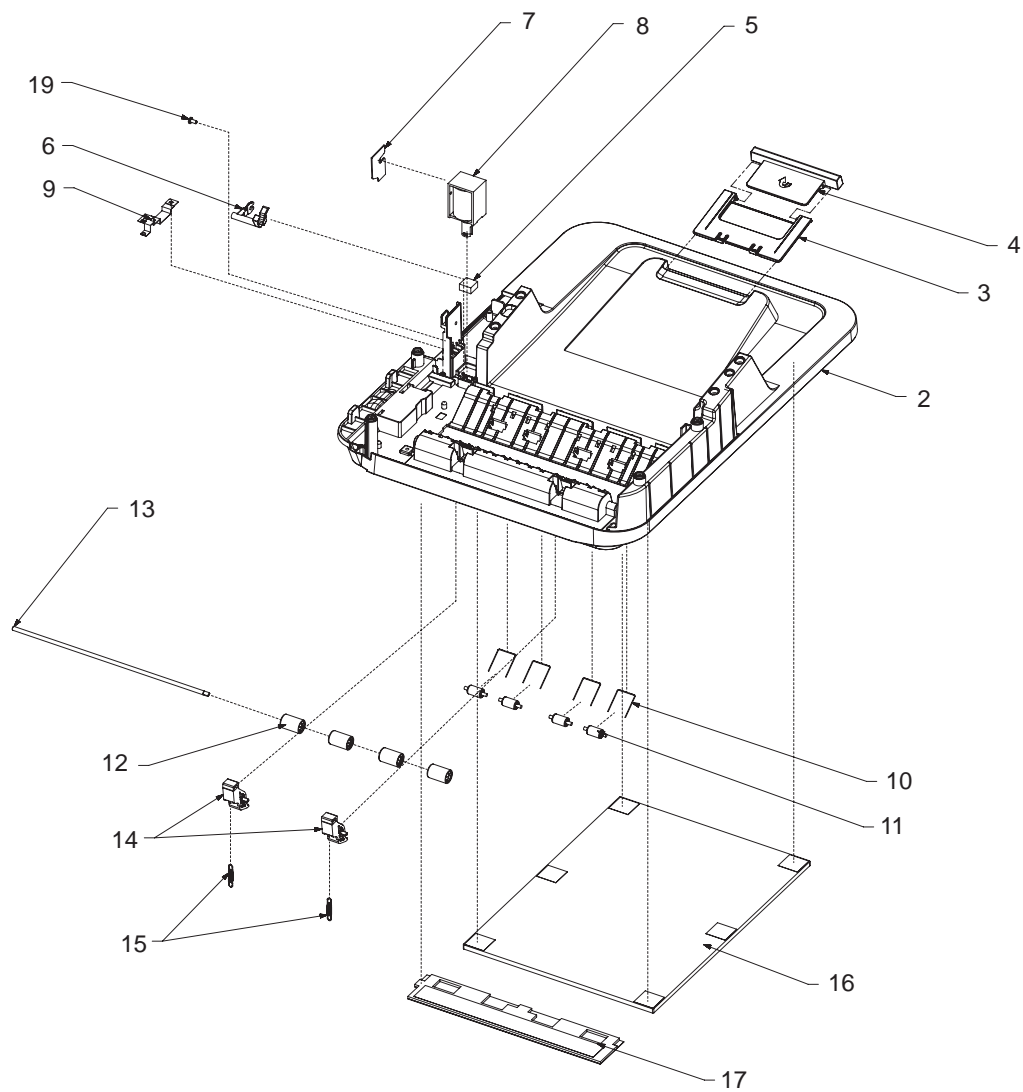
DADF UPPER (SCX-573xFW / 563x series / 483xFR) Parts List

SA : SERVICE AVAILABLE, SNA : SERVICE not AVAILABLE

Drawer#	Part Code	Description	Qty	Service	Remark
0	JC97-03883A	DADF-UPPER	1	SA	
2	JC97-03069A	MEA UNIT-DADF RUBBER	1	SA	
3	JC61-00387A	SPRING ETC-PAD	1	SA	
4	JC66-00461A	ROLLER-M-ADF IDLE	1	SA	
5	6003-000196	SCREW-TAPTYPE	3	SNA	
6	JC63-01610G	COVER-DADF_UPPER TOP	1	SNA	
7	JC63-01776A	SHEET-PATH	3	SA	
8	JC61-02428A	SPRING ETC-EXIT IDLE	2	SNA	
9	JC66-01022A	ROLLER-M_IDLE SCF	4	SA	
10	JC66-01817A	SHAFT-FEED IDLE	1	SNA	
11	JC61-02252A	HOLDER-LIFTING_IDLE	1	SNA	

Drawer#	Part Code	Description	Qty	Service	Remark
12	JC66-01876A	DAMPER-DADF UPPER	4	SNA	
13	JC75-00095A	MEC-BRUSH ANTISTATIC	1	SNA	
14	JC63-01622H	COVER-DADF_UPPER BT	1	SNA	
15	JC63-01664A	GROUND-BRUSH	1	SA	
16	JC63-01663A	GROUND-DADF UPPER	1	SA	
17	JC39-00854A	HARNESS-DADF SENSOR 2	1	SA	
18	0604-001095	PHOTO-INTERRUPTER	1	SA	
19	JC66-01765A	ACTUATOR-EMPTY	1	SNA	
20	JB61-00076A	SPRING ETC-TORSION DOC (CC2-F)	1	SA	
21	JC39-00322A	CBF HARNESS-SCAN GND	1	SNA	

9-3. DADF PLATEN (SCX-573xFW / 563x series / 483xFR)



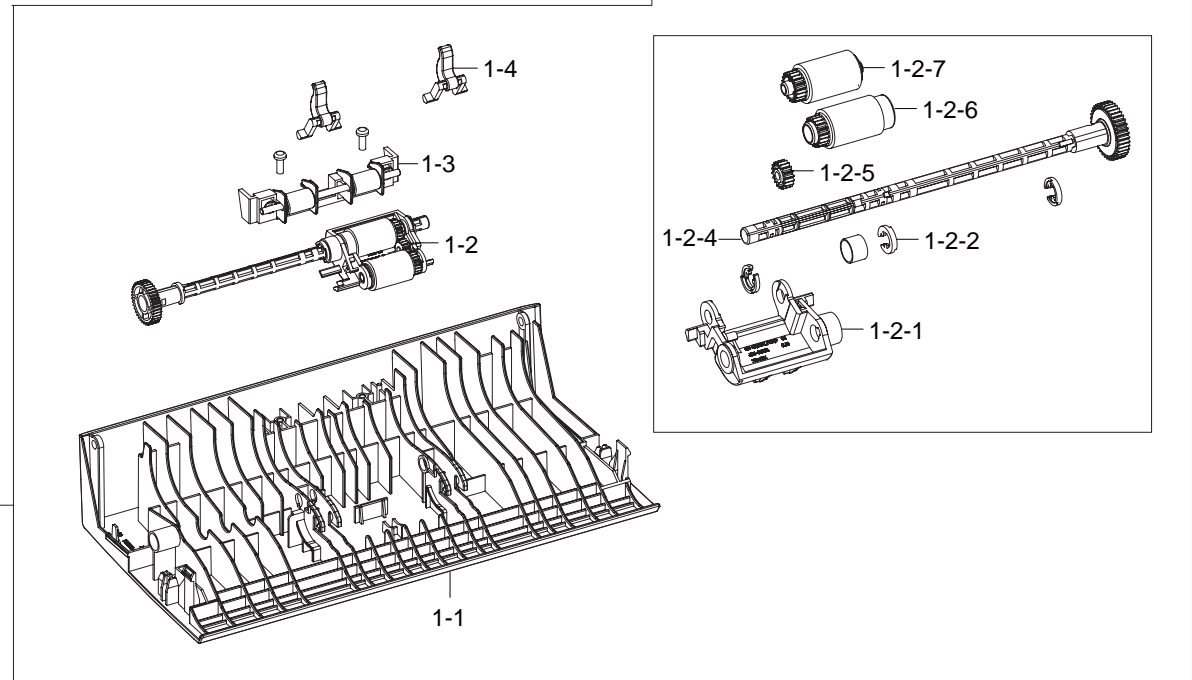
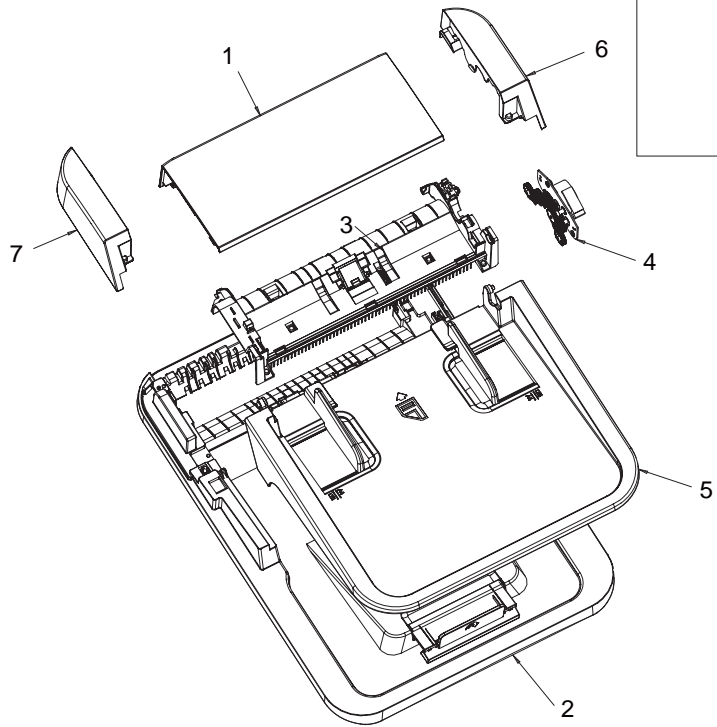
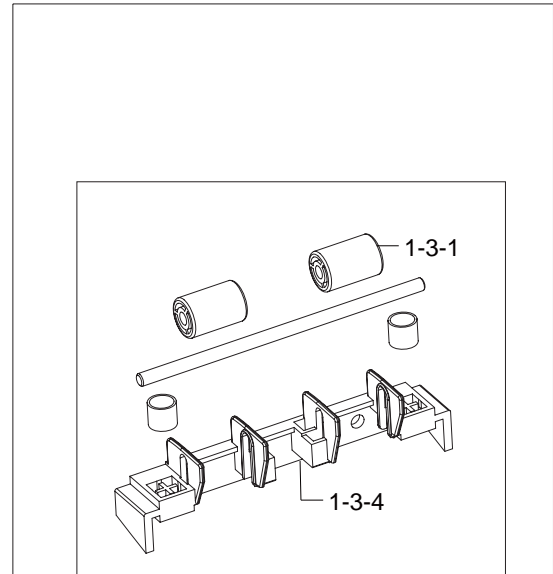
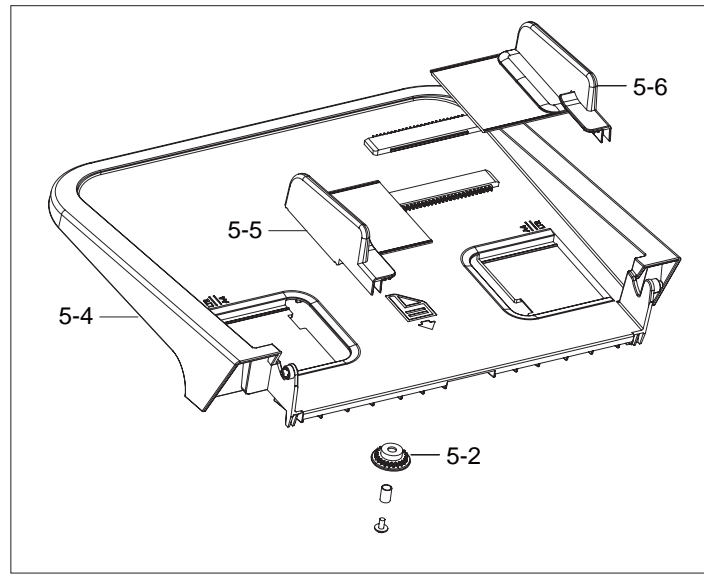
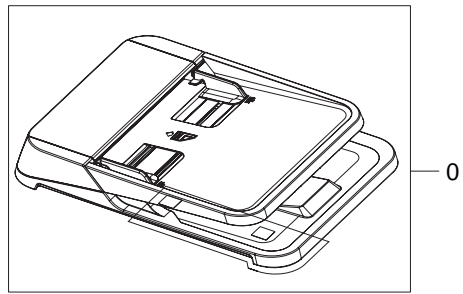
DADF PLATEN (SCX-573xFW / 563x series / 483xFR) Parts List

Drawer#	Part Code	Description	Qty	Service	Remark
0	JC97-03881A	DADF-PLATEN	1	SA	
2	JC63-02927A	COVER-PLATEN	1	SNA	
3	JC61-04135A	GUIDE-EXTENSION_L	1	SNA	
4	JC61-04136A	GUIDE-EXTENSION_S	1	SNA	
5	JC72-01471A	SPONGE-DADF LIFTING	1	SNA	
6	JC66-01774A	LEVER-LIFTING_EXIT	1	SNA	
7	JC69-01327A	PAD-SOLENOID	1	SNA	
8	JC33-00031A	SOLENOID-LIFTING	1	SA	
9	JC63-01660A	GROUND-PLATEN	1	SA	
10	JC61-02429A	SPRING ETC-MID IDLE	4	SNA	

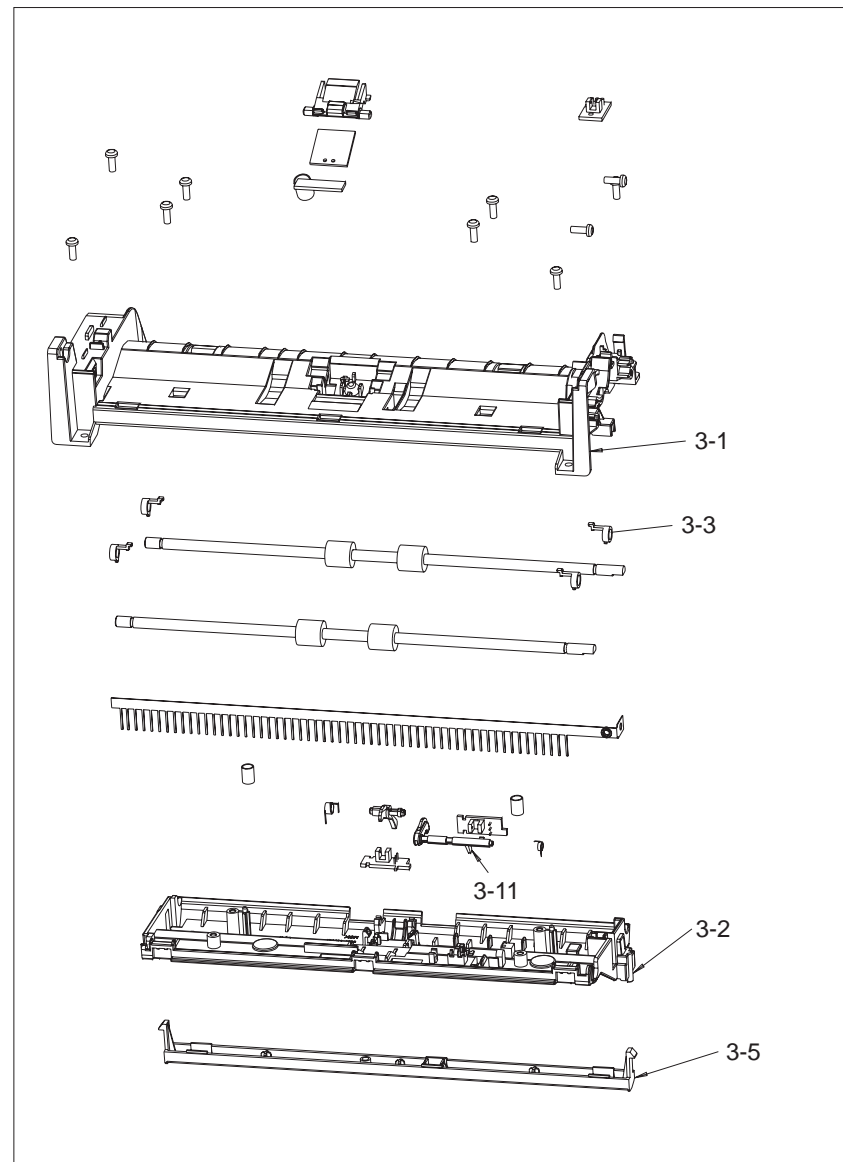
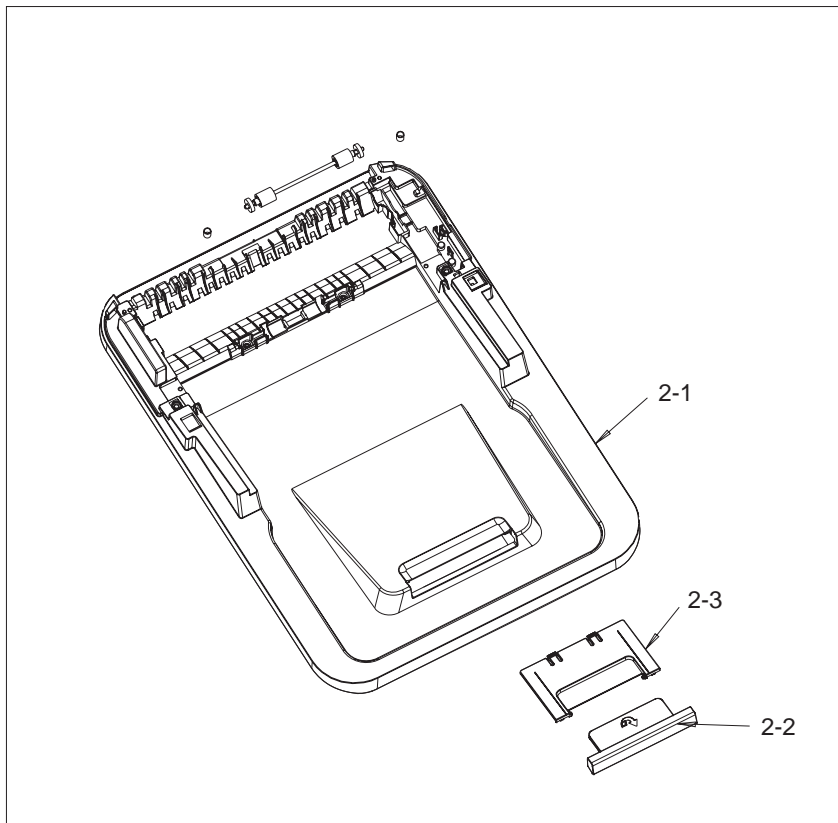
SA : SERVICE AVAILABLE, SNA : SERVICE not AVAILABLE

Drawer#	Part Code	Description	Qty	Service	Remark
11	JC66-01764A	ROLLER-IDLE	4	SNA	
12	JC66-01022A	ROLLER-M_IDLE SCF	4	SA	
13	JC66-01817A	SHAFT-FEED IDLE	1	SNA	
14	JC66-01749A	LEVER-JAM_FEED	2	SNA	
15	6107-001554	SPRING-ES	2	SNA	
16	JC63-00209A	SHEET-WHITE SPONGE	1	SA	
17	JC72-01439A	SPONGE-DADF PLATEN	1	SNA	
18	JC66-02080A	DAMPER-PLATEN	2	SNA	
19	6001-000130	SCREW-MACHINE	1	SNA	

10. ADF (SCX-483xFD / 4833HD)



ADF (SCX-483xFD / 4833HD)



ADF (SCX-483xFD / 4833HD) Parts List

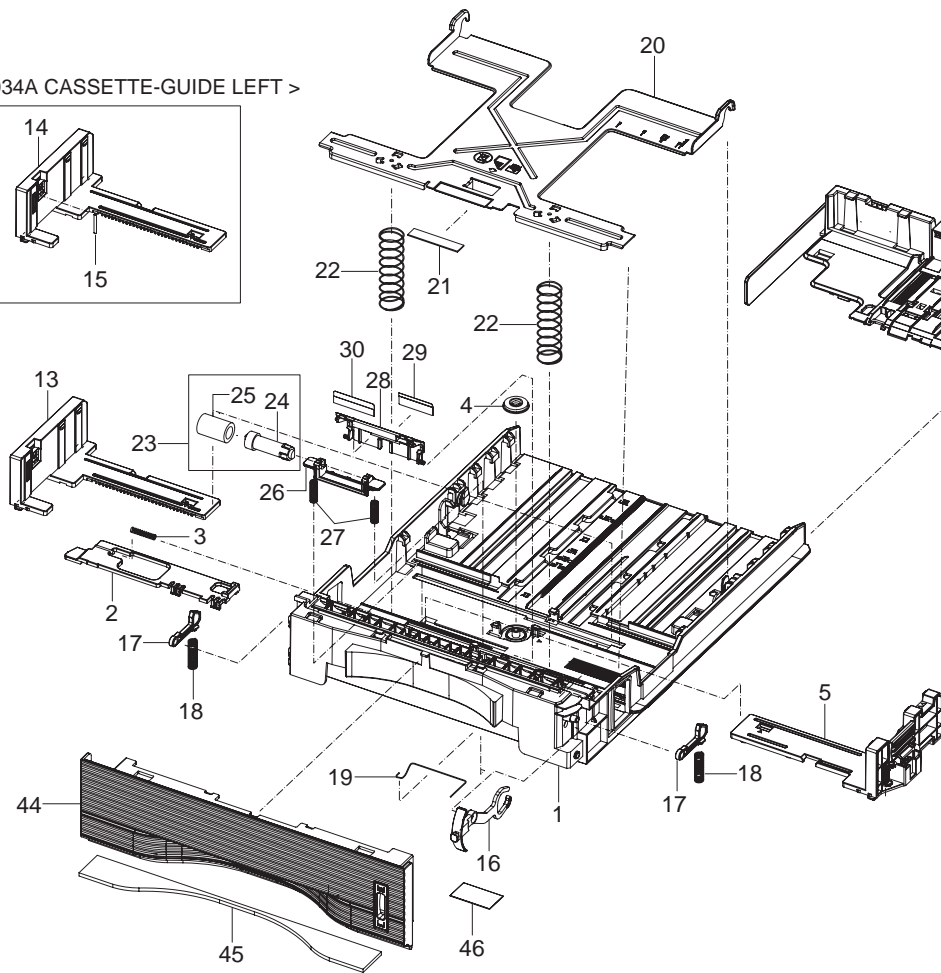
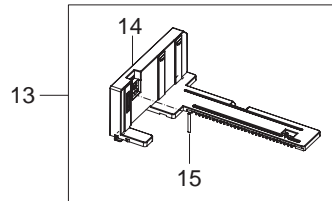
Drawer#	Part Code	Description	Qty	Service	Remark
0	JC97-03869A	ADF	1	SA	
1	-	ADF TOP COVER	1	SNA	
1-1	JC81-08899A	CSP-COVER_ADF	1	SA	
1-2	-	Pick up module	1	SNA	
1-2-1	JC81-08903A	CSP-HOUSING PICKUP	1	SA	
1-2-2	JC81-07318A	CSP-RING CHESS	3	SA	
1-2-4	JC81-07331A	CSP-GEAR_DRIVE_PICK	1	SA	
1-2-5	JC81-07332A	CSP-GEAR_PICK IDLE	1	SA	
1-2-6	JC81-07334A	CSP-GEAR_SEPARATE ROLLER	1	SA	
1-3	-	Idle Roller module	1	SNA	
1-3-1	JC81-07315A	CSP-ROLLER_IDLE	2	SA	
1-3-4	JC81-07330A	CSP-FRAME_IDLE_UNIT	1	SA	
1-4	JC81-08902A	CSP-STOPPER_PAPER	1	SA	
2	-	ADF BASE FRAME	1	SNA	
2-1	JC81-08904A	CSP-COVER_PLATEN	1	SA	
2-2	JC81-08914A	CSP-STOPPER_OUTPUT	1	SA	
2-3	JC81-08915A	CSP-SLIDE_STOPPER	1	SA	

SA : SERVICE AVAILABLE, SNA : SERVICE not AVAILABLE

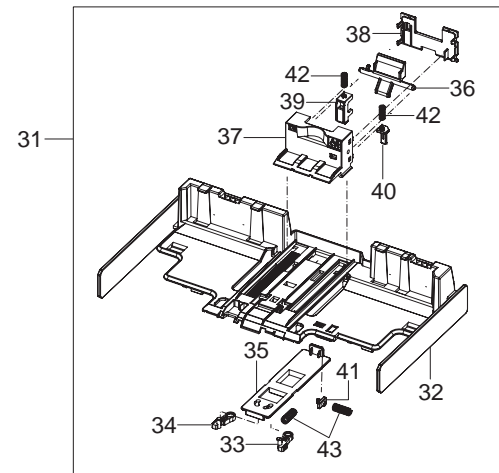
Drawer#	Part Code	Description	Qty	Service	Remark
3	-	Paper Path module	1	SNA	
3-1	JC81-08905A	FRAME DOCUMENT GUIDE UP	1	SA	
3-2	JC81-08906A	FRAME DOCUMENT GUIDE DOWN	1	SA	
3-3	JC81-07322A	CSP BEARING REYNARD	4	SA	
3-5	JC81-08907A	CSP-BAR WHITE	1	SA	
3-11	JC81-08908A	CSP-ACTUATOR PAPER POSITION	1	SA	
4	-	Driving module	1	SNA	
5	-	Input Tray module	1	SNA	
5-2	JC81-08913A	CSP-GEAR PINION	1	SA	
5-4	JC81-08910A	CSP-STACKER	1	SA	
5-5	JC81-08912A	CSP-GUIDE EDGE REAR	1	SA	
5-6	JC81-08912A	CSP-GUIDE EDGE FRONT	1	SA	
6	JC81-08901A	CSP-COVER ADF REAR	1	SA	
7	JC81-08900A	CSP-COVER ADF FRONT	1	SA	

11. CASSETTE

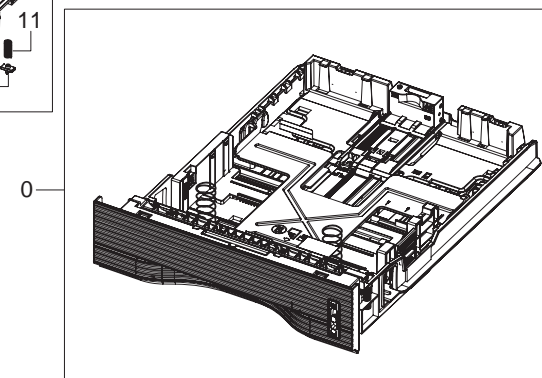
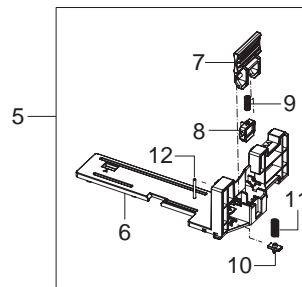
< JC90-01034A CASSETTE-GUIDE LEFT >



< JC90-01035A CASSETTE-GUIDE REAR >



< JC91-01033A CASSETTE-GUIDE RIGHT >



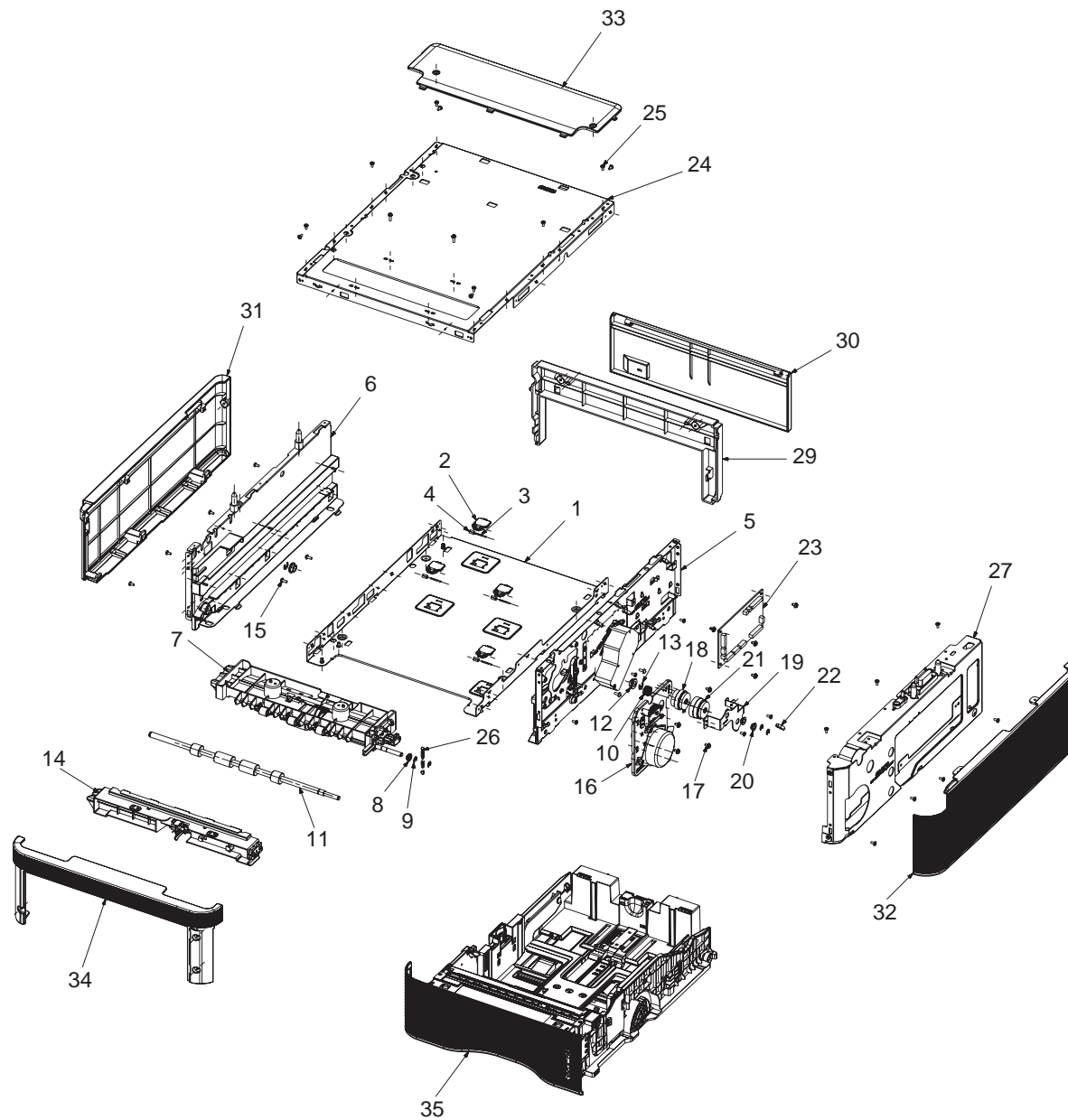
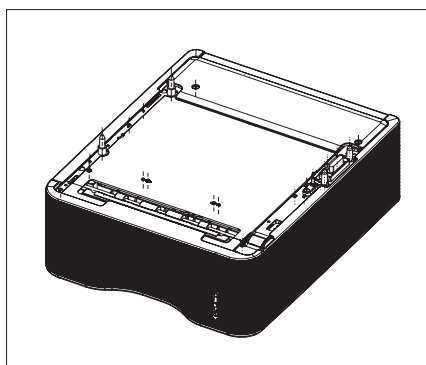
CASSETTE Parts List

SA : SERVICE AVAILABLE, SNA : SERVICE not AVAILABLE

Drawer#	Part Code	Description	Qty	Service	Remark
0	JC90-01036A	CASSETTE	1	SA	
1	JC61-04127A	FRAME-CASSETTE	1	SA	
2	JC64-00611A	LOCKER-PLATE	1	SNA	
3	JG61-70531A	SPRING ETC-LOCKER,PLATE	1	SA	
4	JG66-40003A	GEAR-PINION	1	SA	
5	JC90-01033A	CASSETTE-GUIDE RIGHT	1	SA	
6	JC61-04128A	GUIDE-SIDE RIGHT	1	SA	
7	JC66-02826A	LEVER-SIDE RIGHT	1	SA	
8	JC61-04131A	STOPPER-SIDE RIGHT	1	SA	
9	6107-002777	SPRING-CS	1	SA	
10	JC64-00426A	KNOB-GUIDE_REAR	1	SNA	
11	JC61-00013A	SPRING ETC-PAD	1	SNA	
12	JC70-20901A	IEX-SHAFT IDLE,F/UP	1	SA	
13	JC90-01034A	CASSETTE-GUIDE LEFT	1	SA	
14	JC61-04129A	GUIDE-SIDE LEFT	1	SA	
15	JC70-20901A	IEX-SHAFT IDLE,F/UP	1	SA	
16	JC64-00609A	INDICATOR-PAPER	1	SA	
17	JC64-00610A	LOCKER-CASSETTE	2	SNA	
18	6107-001287	SPRING-CS	2	SNA	
19	JC63-02932A	GROUND-CASSETTE	1	SNA	
20	JC61-04126A	PLATE-P-KNOCK_UP	1	SA	
21	JC73-00141A	RPR-PAD CASSETTE	1	SA	
22	6107-002779	SPRING-CS	2	SA	
23	JC90-01032A	CASSETTE-ROLLER RETARD	1	SA	

Drawer#	Part Code	Description	Qty	Service	Remark
24	JC67-00465A	COUPLER-TORQUE_LIMITER	1	SA	
25	JC73-00328A	RUBBER-TL	1	SA	
26	JC61-04101A	HOLDER-RETARD_SHAFT	1	SA	
27	6107-002778	SPRING-CS	2	SA	
28	JC63-02917A	COVER-CASSETTE	1	SA	
29	JC63-02933A	SHEET-RETARD	1	SNA	
30	JC63-02984A	SHEET-CASSETTE	1	SA	
31	JC90-01035A	CASSETTE-GUIDE REAR	1	SA	
32	JC61-04130A	GUIDE-REAR PAPER	1	SA	
33	JC64-00612A	LOCKER-RIGHT GUIDE	1	SNA	
34	JC64-00613A	LOCKER-LEFT GUIDE	1	SNA	
35	JC64-00614A	LOCKER-SLIDE GUIDE	1	SNA	
36	JC66-02827A	LEVER-GUIDE REAR	1	SA	
37	JC70-00594A	ADJUST-REAR UPPER	1	SA	
38	JC70-00595A	ADJUST-REAR LOWER	1	SA	
39	JC64-00615A	LOCKER-ADJUST REAR	1	SNA	
40	JC61-04132A	SUPPORT-GUIDE LOCK	1	SA	
41	JC64-00426A	KNOB-GUIDE_REAR	1	SNA	
42	6107-002777	SPRING-CS	2	SA	
43	JC61-00013A	SPRING ETC-PAD	2	SNA	
44	JC64-00608A	HANDLE-CASSETTE	1	SA	
45	JC63-03025A	ABSORBER-CST BOTTOM	1	SNA	
46	JC68-00780A	LABEL(P)-CAUTION PRINTING	1	SNA	

12. OPTION CASSETTE (SCF)



OPTION CASSETTE (SCF) Parts List

SA : SERVICE AVAILABLE, SNA : SERVICE not AVAILABLE

Drawer#	Part Code	Description	Qty	Service	Remark
0	JC90-01061B	SCF	1	SNA	
1		FRAME-BOTOM	1	SNA	
2	JC61-03841A	HOLDER-ROLLER_CST	4	SA	
3	JC70-20901A	IEX-SHAFT IDLE,F/UP	4	SA	
4		ROLLER-CST BOTTOM	4	SNA	
5		ELA UNIT-FRAME RIGHT	1	SNA	
6		ELA UNIT-FRAME LEFT	1	SNA	
7	JC82-00189A	A/S ASSY-UNIT PICKUP	1	SA	
8	JC61-00699A	BUSH-D6/L4	1	SA	
9	6044-000125	RING-E	4	SA	
10	JC81-08619A	GEAR-DRV PICK UP	1	SNA	
11	JC81-08919A	CSP-SCF ROLLER REGI	1	SNA	
12	JC61-00426A	BUSH-8/5	2	SA	
13		RING-E(ID5)	2	SNA	
14		A/S CON-UNIT-FEED	1	SNA	
15		SCREW-TAPPING (M3XL8)	1	SNA	
16	JC82-00190A	A/S ASSY-UNIT DRIVE	1	SA	
17		SCREW-HEX(M3XL6)	1	SNA	

Drawer#	Part Code	Description	Qty	Service	Remark
18	JC47-00033A	CLUTCH-ELECTRIC	1	SNA	
19	JC81-08748A	CSP-SCF BRKT CLUTCH REGI(M)	1	SA	
20	JC61-00699A	BUSH-D6/L4	2	SA	
21	JC47-00034A	CLUTCH-ELECTRIC	1	SA	
22	6502-001130	CABLE CLAMP	4	SA	
23	JC82-00192A	A/S ASSY-PBA SCF MAIN	1	SA	
24		FRAME-TOP	1	SNA	
25		SCREW-TAPTITE (M3XL6)	1	SNA	
26		SPRING-ES	1	SNA	
27		MEA UNIT-RIGHT DUMMY	1	SNA	
28		SCREW-TAPPING (M3XL8)	1	SNA	
29		COVER-REAR DUMMY	1	SNA	
30		COVER-CASSETTE	1	SNA	
31	JC81-08741A	CSP-COVER-LEFT	1	SA	
32	JC81-08740A	CSP-COVER-RIGHT	1	SA	
33	JC81-08742A	CSP-COVER-TOP_DUMMY	1	SA	
34	JC81-08739A	CSP-COVER-FRONT_DUMMY	1	SA	
35	JC82-00191A	A/S ASSY-CASSETTE	1	SA	